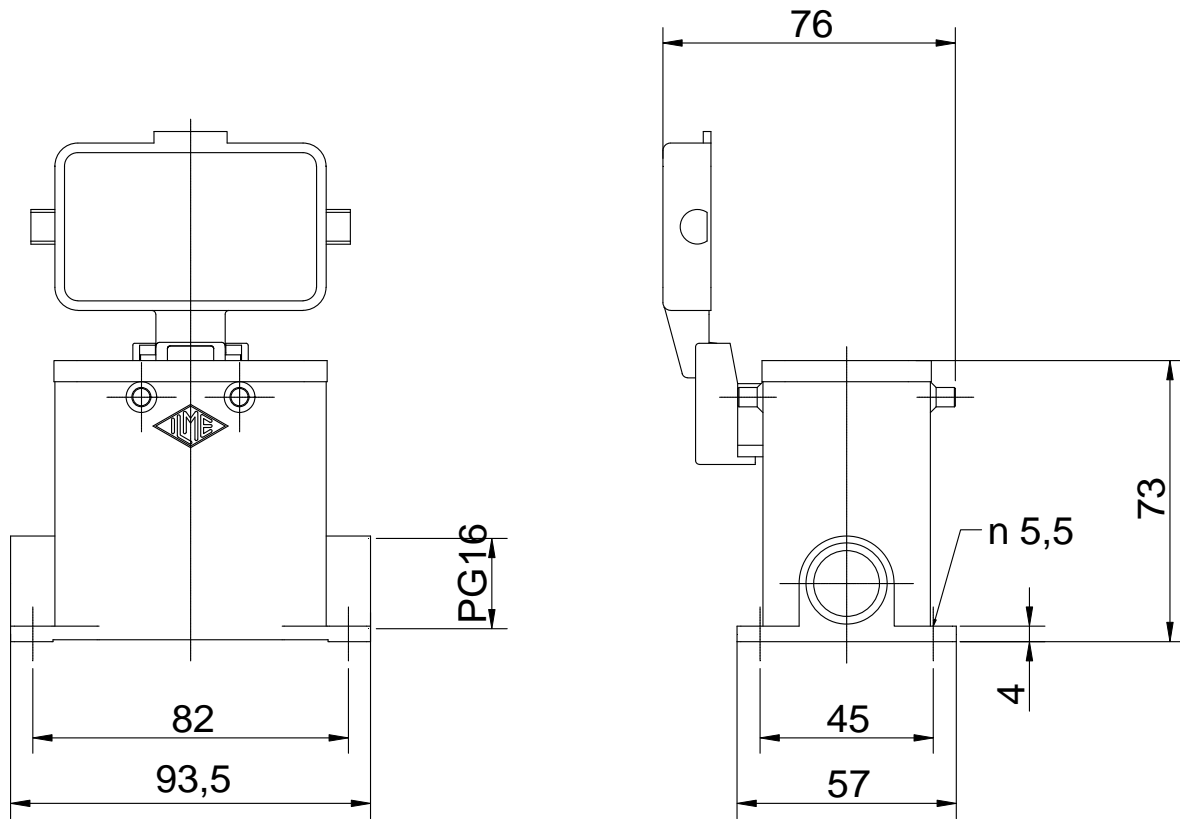



Diritti riservati All rights reserved



|                 |                                       |       |   |
|-----------------|---------------------------------------|-------|---|
|                 |                                       |       |   |
|                 |                                       |       |   |
|                 |                                       |       |   |
|                 |                                       |       |   |
| Date 04.01.2007 | <b>CHP 10 CS</b>                      | Scale |  |
| Sign.           | surface mount. h. pegs and cover PG16 | 1:2   |   |