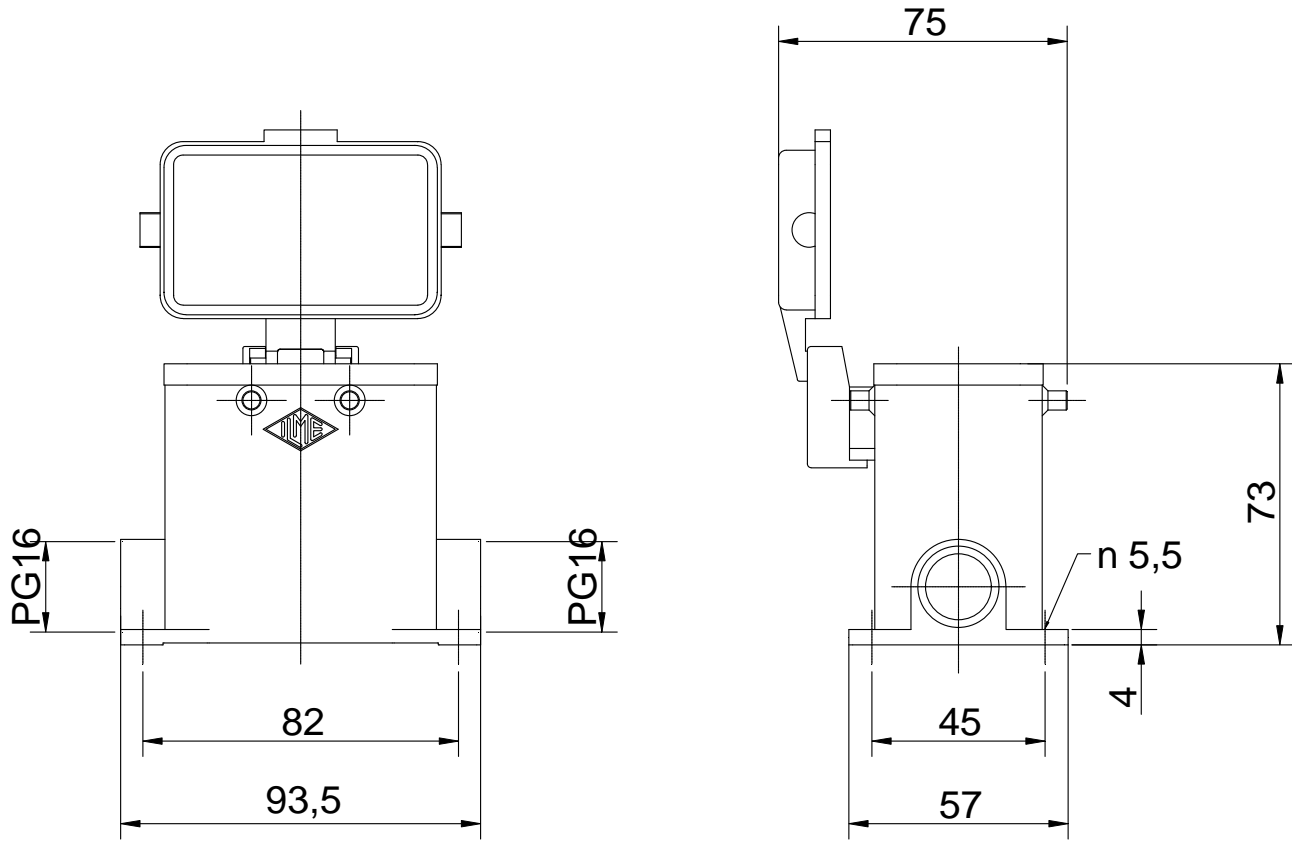


Diritti riservati All rights reserved




Date 04.01.2007	<b>CHP 10 CP2</b>	Scale	
Sign.	surface mount. h. pegs and cover 2xPG16	1:2	