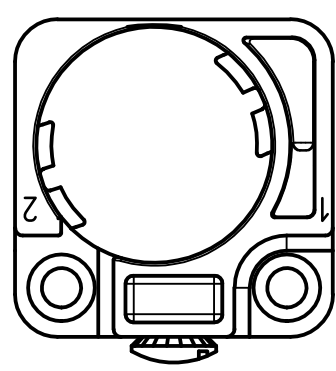
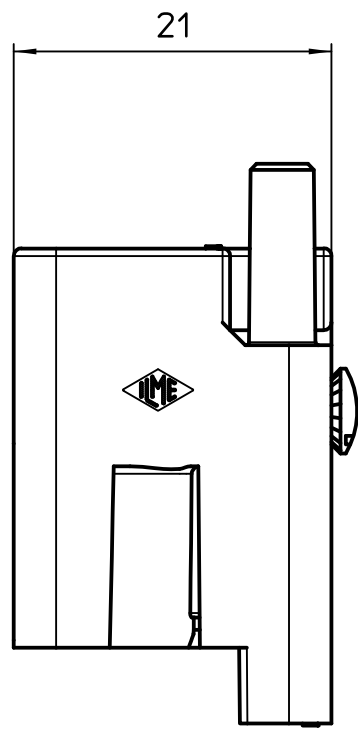
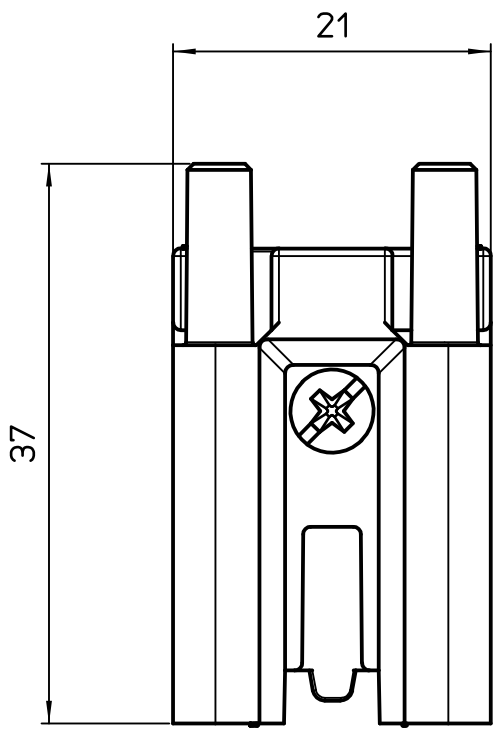
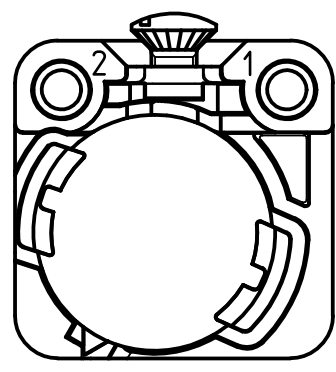
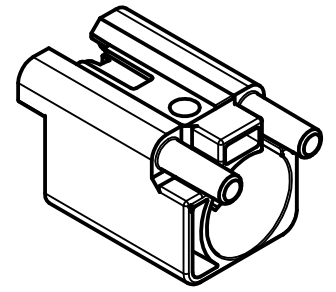


Diritti riservati All rights reserved



Date 15/02/10
Sign. G.Merafina

CX 1/2 BDF
female insert for 1 bus connector + 2P crimp 10A 50V

Scale
2:1

