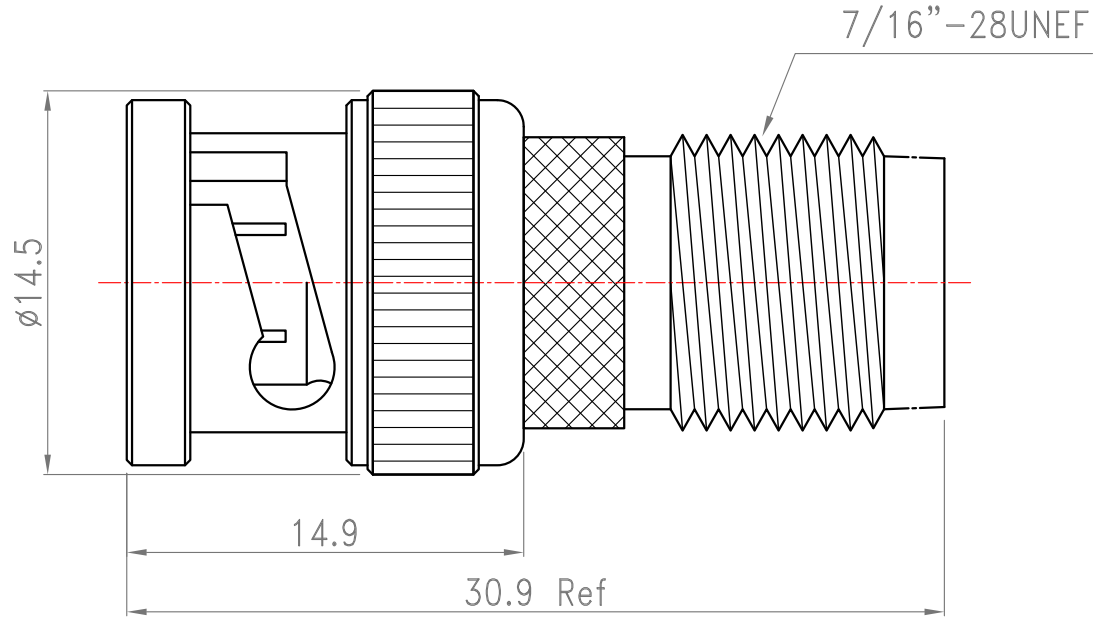


Revisions

Note: Revisions B; B-1; B-2..... On behalf of official Drawing.
 Revisions 1; 2; 3; 4..... On behalf of experiment's Drawing.

Outline Drawing

ISS	Symbol	Description	Date
B		CHE for New Drawing Frame & New PN System	2006/07/10



*"Change new drawing frame in Blue Color since 2009/07/01 to comply with Company CIS Policy."

RoHS COMPLIANCE

6	5	4	3	Scale	Abbr.	Date	Rev.	DWG.NO.
		Pin	Insulator	NTS	ST	2009/07/15	B	AT132W0N02/Z
		Brass	Delrin	Tolerances : .X ±0.2 .XX ±0.1 .XXX±0.05				TITLE.
		Gold	None	All Dimensions in mm (Unless Otherwise Specified)		Customer P/N:		BNC Plug to TNC Jack Adapter