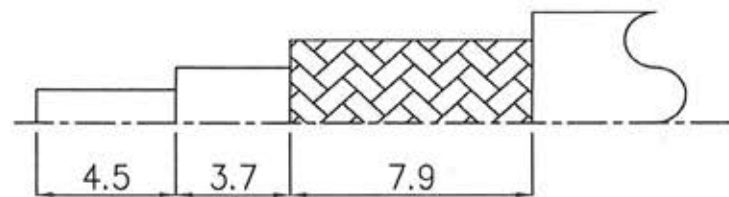
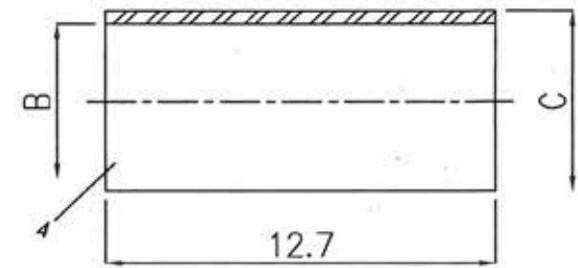
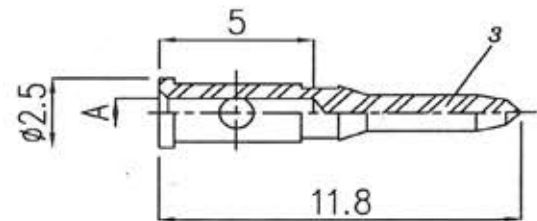
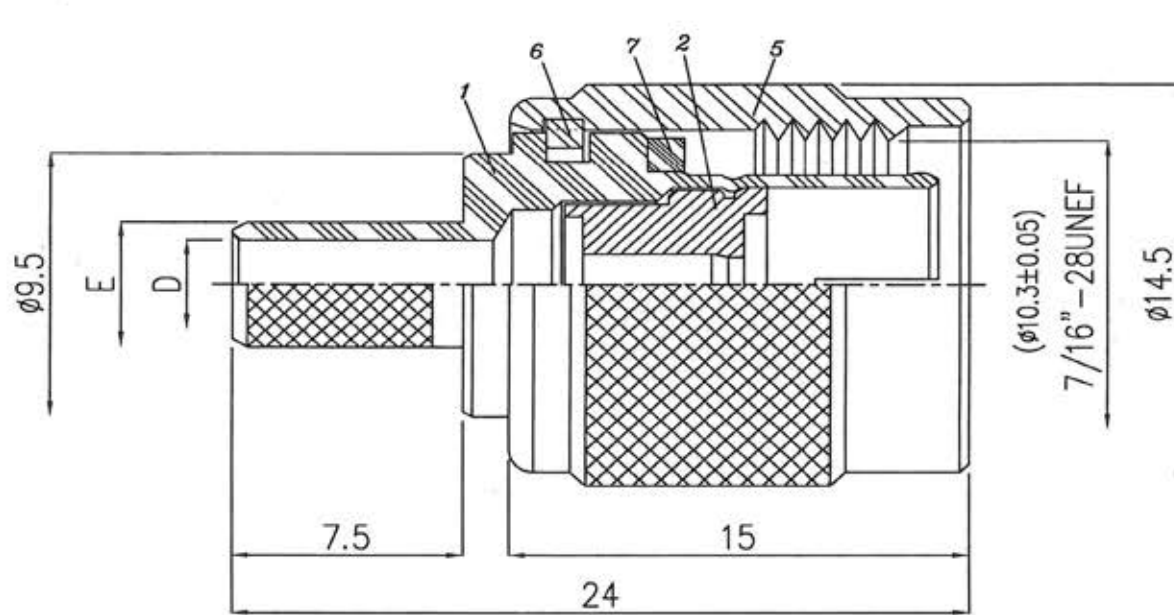


TNC plug 75 Ohm
crimp for RG59



Unit in mm

Tolerances:

0-0.5mm ± 0.10mm	0.5-8mm ± 0.20mm
8-30mm ± 0.40mm	30-120mm ± 0.50mm

A	B	C	D	E
0.75	6.6	7.5	4.1	5.5

NO	DESCRIPTION	Q'TY	MATERIAL	PLATING
1	BODY	1	BRASS	NICKEL 100 μ" MIN.
2	DIELECTRIC	1	PTFE	-
3	CENTER PIN	1	BRASS	GOLD 3-5 μ" MIN.
4	FERRULE	1	BRASS	NICKEL 100 μ" MIN.
5	SHELL	1	BRASS	NICKEL 100 μ" MIN.
6	RETAINING RING	1	BRASS	-
7	GASKET	1	RUBBER	-

All material in accordance with RoHS + REACH!

Prep.: J.A.	Date: 20.03.15	Rev.:	Date:	Remark:	Prep.:	Check.:	Item No.:	TC59	
Check.:	Date:						Customer Item No.:		7460C59
Approv.:							EAN Bar Code:		
								All rights reserved	Page 1 of 1