

Overview

Bandwidth: 500MHz
 OD: 3.6mm
 Conductor: 28AWG
 Approvals: RoHS
 Connector: 3U" gold plated RJ45 connector

Physical Characteristics

- Cable Type – Cat6A UTP
- Connector Type(s) – RJ45
- Wiring Scheme – T568B
- Temperature Rating
 - Installation: 0°C~50°C
 - Operation: -20°C~60°C
- Voltage Rating – 30V

Conductor (Qty. 4 twisted pair)

- Conductor Type – 28AWG(7/0.12±0.008), Stranded BC
- Insulation – HDPE
- Diameter – 0.60±0.05mm
- Pair Identification:
 - Pair1=Orange, Orange-White
 - Pair2=Blue, Blue-White
 - Pair3=Green, Green-White
 - Pair4=Brown, Brown-White

Connector Type (Qty. 2)

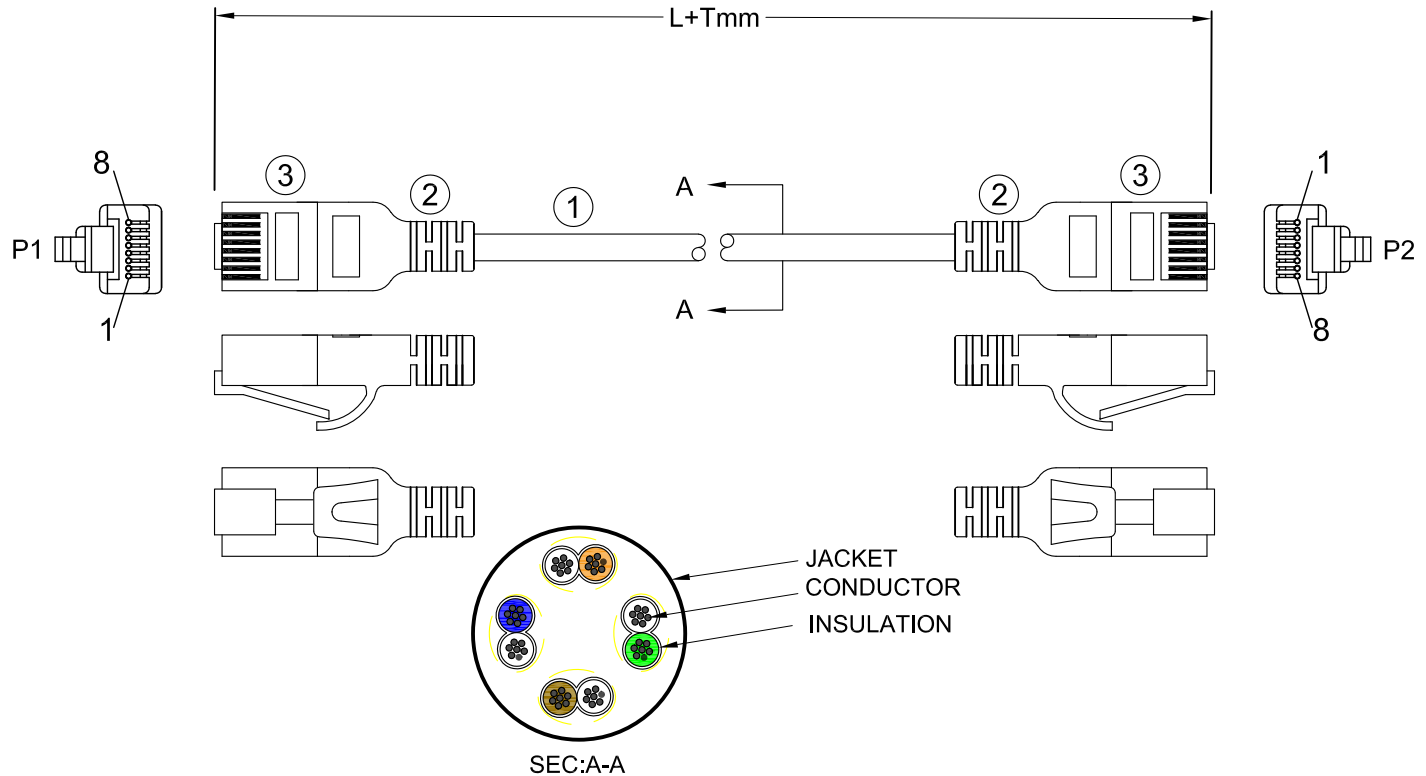
- Connector Type – 8P8C (RJ45)
- Gender – Male
- Connector Material – PC
- Contact Material – Copper Alloy, 3U" Gold Plating
- Hood Material – PVC MOLDED BOOT

Overall Cable

- Jacket – PVC
- Minimum Average Thickness – 0.60mm
- Outer Diameter – 3.6 ± 0.15mm

Electrical Characteristics

- Conductor DC Resistance – 28.45Ω/100m (maximum)
- Impedance – 100Ω
- Capacitance – 5600pf/100m
- Propagation Delay – 545ns/100m (maximum)
- Delay Skew – 45ns/100m (maximum)
- PASS DSX 8000 Fluke Channel Test



P1	P2 T568B
1 ——— 1	WHITE/ORANGE
2 ——— 2	ORANGE
3 ——— 3	WHITE/GREEN
4 ——— 4	BLUE
5 ——— 5	WHITE/BLUE
6 ——— 6	GREEN
7 ——— 7	WHITE/BROWN
8 ——— 8	BROWN

TOLERANCE GENERALES					
LENGTH(M)	0<L<1	1≤L<2	2≤L<5	5≤L<10	L≥10
TOLERANCE	+20/-15mm	±20mm	±30mm	±50mm	±80mm

ITEM NO:	CAT.6A Slim U/UTP 28AWG Patch Cable			DRAWER DATE	FW
TITLE				CHECKED DATE	ACE
CUSTOMER				APPROVED DATE	20230415
MATERIAL		SCALE			
REV.	A	UNIT	MM		
DRAWING NO:	6AU0P360712HB 2306---30415141				
ACAD FILE	E:\				

3	RJ45 PLUG: 8P8C 3U" GOLD PLATED TWO-PIECE PLUG.	
2	MOLDED: PVC MOLDED BOOT.	
1	CABLE: CAT6A UTP 4P/28AWG(7/0.12±0.008BC) OD=Ø3.6±0.15MM PVC JACKET.	
NO.		Q'TY
BOM LIST		