



Part number
CDCF 10



Brief description:

female insert, 10 poles + PE, crimp connections, 16A, 250V, 4kV, 3, size "49.16", CLASS insert series

Product description		Approvals / Standards	
Model	female insert	Reference standard	EN 61984:2009-06
Version	crimp connections	Quality mark	 , EAC
Series	CDC	Conformity	CQC, CE
Product type	for female contacts 16A	General ordering information	
Family	CLASS inserts	EAN13 code	8015747013383
Size	size "49.16"	Tariff number	85369095
N. of poles	10 poles + 	Country of origin	Made in EU (IT)
Technical data		ETIM classification	EC000438
Current	16 A (A.C. and D.C.)	Packaging Information	
Voltage	250 V	Packaging length	230,00 mm
Rated impulse withstand voltage	4 kV	Packaging height	110,00 mm
Pollution degree	3	Packaging width	130,00 mm
Operating temperature range (min, max)	-40°C ... +125°C	Packaging weight	1,03 kg
Mating cycles	≥ 500	Packaging volume	3,29 dm ³
IP degree of protection	IP20 without enclosure, IP65/IP66 with enclosure	Packaging description	Carton box
Further technical details		Packaging quantity	30 Pcs
Characteristics according to EN 61984	16A 250V 4kV 3; 16A 230/400V 4kV 2	Packaging EAN code	8015747013390
Insulation resistance	≥ 10 GΩ	Sub-packaging weight	0,17 kg
Rated voltage according to UL/CSA	600V	Sub-packaging description	Carton tray
UL 94 flammability rating	V-0	Sub-packaging quantity	5 Pcs
Weight	28,00 g	Sub-packaging EAN barcode	8015747013406

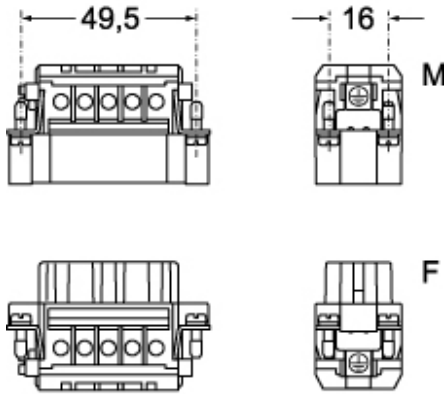
Part number

CDCF 10

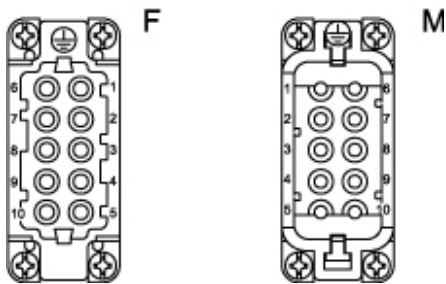


Catalogue drawings

CDCM 10



CDCF 10



Catalogue drawings

diagram CDA and CDC 10 poles

