

Part number

MAP 10 L240



Surface mounting housing, C-TYPE series, with 1 lever, M40 x 2 cable entry, size "57.27", high construction

Product description

| | |
|----------------------|--------------------------|
| Product type | surface mounting housing |
| Series | C-TYPE |
| Closing type | with 1 lever |
| Size | size "57.27" |
| Cable entry | M40 x 2 |
| Specification | high construction |

Technical data

| | |
|--------------------------------|-------------------------------|
| IP degree of protection | IP66 (and IP69 DIN 40050 - 9) |
|--------------------------------|-------------------------------|

Further technical details

| | |
|---|------------------|
| Weight | 275,00 g |
| Operating temperature range (min, max) | -40 °C...+125 °C |

Approvals / Standards

| | |
|-----------------------|------------|
| Certifications | DNV-GL, BV |
|-----------------------|------------|

General ordering information

| | |
|-------------------|---------------|
| EAN13 code | 8015747051156 |
|-------------------|---------------|

Packaging Information

| | |
|----------------------------------|-----------------------|
| Packaging length | 475,00 mm |
| Packaging height | 200,00 mm |
| Packaging width | 150,00 mm |
| Packaging weight | 2,75 kg |
| Packaging volume | 14,25 dm ³ |
| Packaging description | Carton box |
| Packaging quantity | 10 Pcs |
| Packaging EAN code | 8015747244381 |
| Sub-packaging weight | 1,38 kg |
| Sub-packaging description | Plastic packaging |
| Sub-packaging quantity | 5 Pcs |
| Sub-packaging EAN barcode | 8015747105774 |

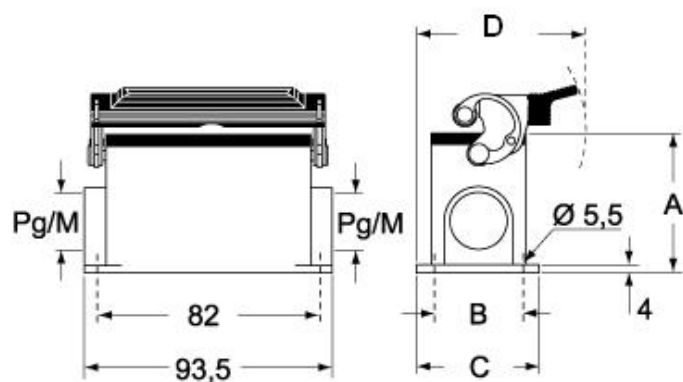
Part number

MAP 10 L240

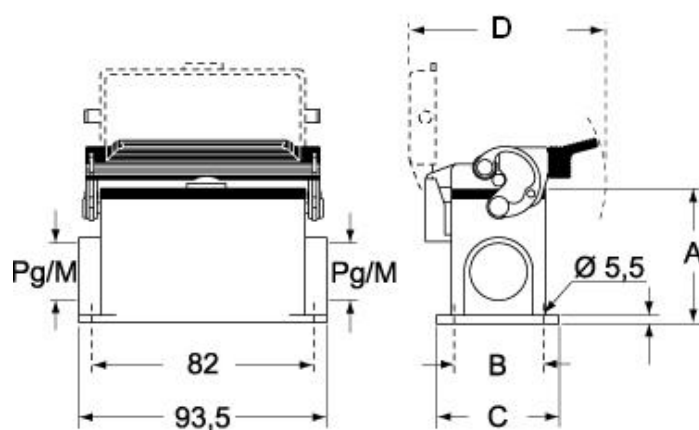


Catalogue drawings

CHP L - CAP L MHP L - MAP L



CHP LS - CAP LS MHP LS - MAP LS



Notes

Dimensions shown in mm are not binding and may be changed without notice.