

Part number

# CHI 06 LC



Bulkhead mounting housing, C-TYPE series,  
with 2 pegs, size "44.27"

#### Product description

<b>Product type</b>	Bulkhead mounting housing
<b>Series</b>	C-TYPE
<b>Closing type</b>	with 2 pegs
<b>Size</b>	size "44.27"

#### Technical data

<b>IP degree of protection</b>	IP66 (and IP69 DIN 40050 - 9)
--------------------------------	-------------------------------

#### Further technical details

<b>Weight</b>	50,00 g
<b>Operating temperature range (min, max)</b>	-40 °C...+125 °C

#### Approvals / Standards

<b>Certifications</b>	DNV-GL, BV
-----------------------	------------

#### General ordering information

<b>EAN13 code</b>	8015747101592
-------------------	---------------

#### Packaging Information

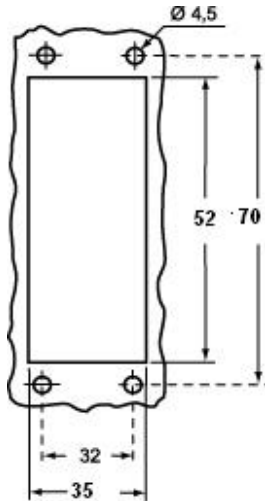
<b>Packaging length</b>	270,00 mm
<b>Packaging height</b>	75,00 mm
<b>Packaging width</b>	180,00 mm
<b>Packaging weight</b>	1,38 kg
<b>Packaging volume</b>	3,65 dm <sup>3</sup>
<b>Packaging description</b>	Carton box
<b>Packaging quantity</b>	20 Pcs
<b>Packaging EAN code</b>	8015747101875
<b>Sub-packaging weight</b>	0,35 kg
<b>Sub-packaging description</b>	Carton box
<b>Sub-packaging quantity</b>	5 Pcs
<b>Sub-packaging EAN barcode</b>	8015747101882

Part number

# CHI 06 LC

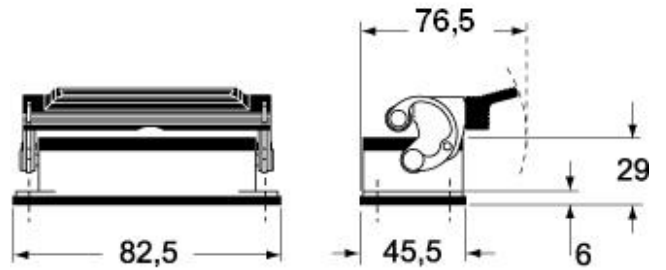


Catalogue drawings

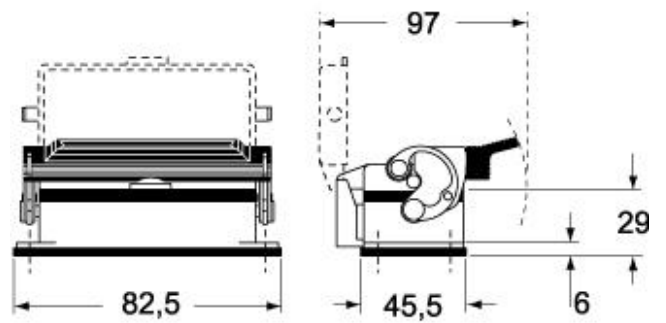


Catalogue drawings

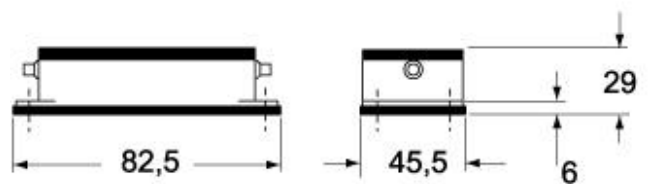
## CHI L



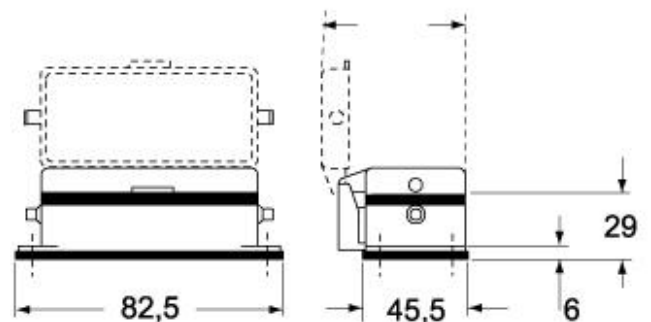
## CHI LS



## CHI LC



## CHI LCS/LCP



---

## Notes

Dimensions shown in mm are not binding and may be changed without notice.

---