

Part number

# MFO 10 G40



Hood, C-TYPE series, with 2 levers, M40 side cable entry without adapter, size "57.27", high construction

## Product description

<b>Product type</b>	hood
<b>Series</b>	C-TYPE
<b>Closing type</b>	with 2 levers
<b>Size</b>	size "57.27"
<b>Cable entry</b>	side cable entry without adapter M40
<b>Specification</b>	high construction

## Technical data

<b>IP degree of protection</b>	IP65 without O-Ring gasket, IP66/IP67 with O-Ring gasket
--------------------------------	--

## Further technical details

<b>Operating temperature range (min, max)</b>	-40 °C...+125 °C
---	------------------

## Approvals / Standards

<b>Certifications</b>	DNV-GL, BV
-----------------------	------------

## General ordering information

<b>EAN13 code</b>	8015747234900
-------------------	---------------

## Packaging Information

<b>Sub-packaging description</b>	Plastic packaging
----------------------------------	-------------------

<b>Sub-packaging quantity</b>	5 Pcs
-------------------------------	-------

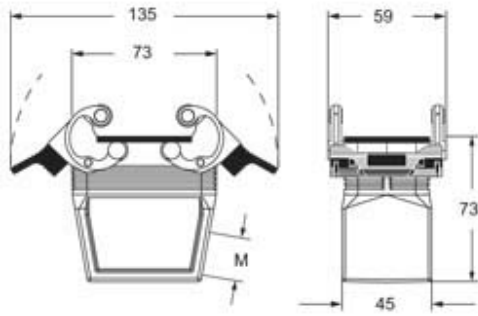
<b>Sub-packaging EAN barcode</b>	8015747235013
----------------------------------	---------------

Part number

# MFO 10 G40



Catalogue drawings



---

## Notes

Dimensions shown in mm are not binding and may be changed without notice.

---