

Part number

# MFO 16 G40



Hood, C-TYPE series, with 2 levers, M40 side cable entry without adapter, size "77.27", high construction

## Product description

<b>Product type</b>	hood
<b>Series</b>	C-TYPE
<b>Closing type</b>	with 2 levers
<b>Size</b>	size "77.27"
<b>Cable entry</b>	side cable entry without adapter M40
<b>Specification</b>	high construction

## Technical data

<b>IP degree of protection</b>	IP65 without O-Ring gasket, IP66/IP67 with O-Ring gasket
--------------------------------	--

## Further technical details

<b>Weight</b>	1,00 g
<b>Operating temperature range (min, max)</b>	-40 °C...+125 °C

## Approvals / Standards

<b>Certifications</b>	DNV-GL, BV
-----------------------	------------

## General ordering information

<b>EAN13 code</b>	8015747251518
-------------------	---------------

## Packaging Information

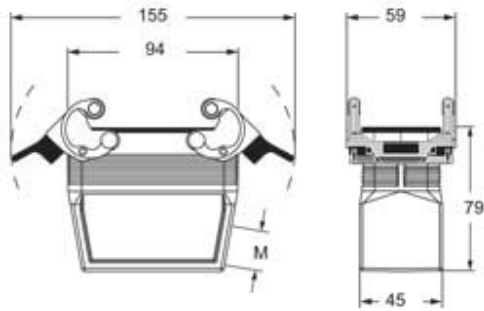
<b>Packaging length</b>	250,00 mm
<b>Packaging height</b>	145,00 mm
<b>Packaging width</b>	300,00 mm
<b>Packaging volume</b>	10,88 dm <sup>3</sup>
<b>Packaging description</b>	Carton box
<b>Packaging quantity</b>	10 Pcs
<b>Packaging EAN code</b>	8015747251525
<b>Sub-packaging description</b>	Plastic packaging
<b>Sub-packaging quantity</b>	5 Pcs
<b>Sub-packaging EAN barcode</b>	8015747251532

Part number

# MFO 16 G40



## Catalogue drawings



---

## Notes

Dimensions shown in mm are not binding and may be changed without notice.

---