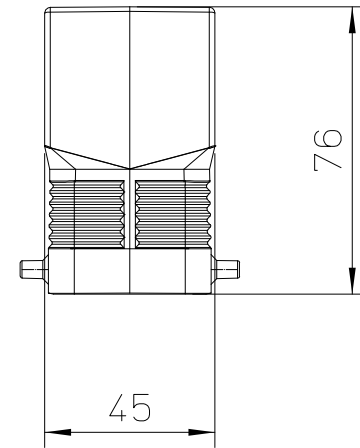
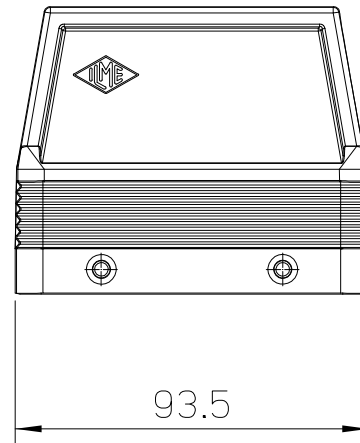
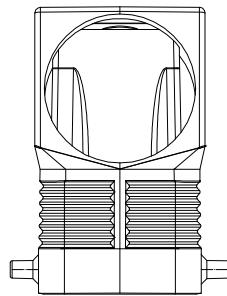
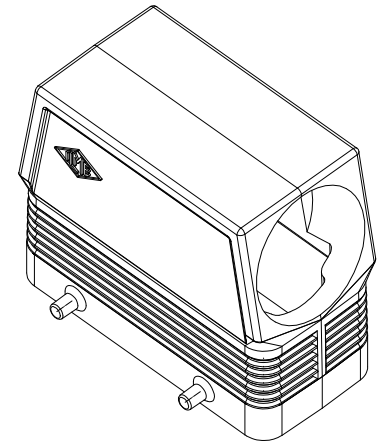
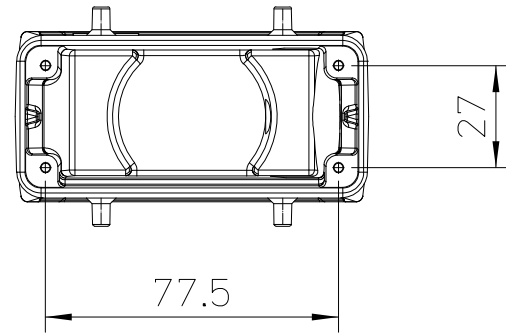



Diritti riservati All rights reserved



dimensions in mm	MFO 16.40 Hood, with M40 entry	Scale 1:2	
Date 25/10/16			
Sign. C. Mainini			