

Part number

MFV 06 L40



Hood, C-TYPE series, with 2 pegs, M40 top cable entry without adapter, size "44.27", high construction

Product description

Product type	hood
Series	C-TYPE
Closing type	with 2 pegs
Size	size "44.27"
Cable entry	top cable entry without adapter M40
Specification	high construction

Technical data

IP degree of protection	IP65 without O-Ring gasket, IP66/IP67 with O-Ring gasket
--------------------------------	--

Further technical details

Weight	149,00 g
Operating temperature range (min, max)	-40 °C...+125 °C

Approvals / Standards

Certifications	DNV-GL, BV
-----------------------	------------

General ordering information

EAN13 code	8015747233422
-------------------	---------------

Packaging Information

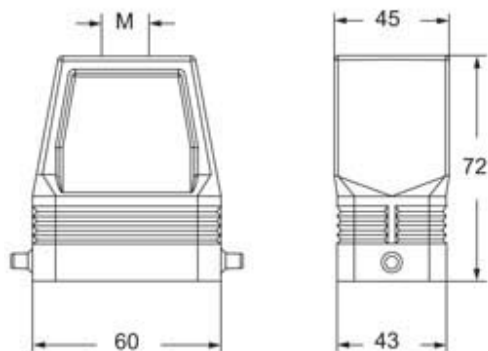
Packaging length	175,00 mm
Packaging height	195,00 mm
Packaging width	260,00 mm
Packaging weight	1,67 kg
Packaging volume	8,87 dm ³
Packaging description	Carton box
Packaging quantity	10 Pcs
Packaging EAN code	8015747233439
Sub-packaging weight	0,84 kg
Sub-packaging description	Plastic packaging
Sub-packaging quantity	5 Pcs
Sub-packaging EAN barcode	8015747233446

Part number

MFV 06 L40



Catalogue drawings



Notes

Dimensions shown in mm are not binding and may be changed without notice.
