

Part number

CX 01 MIF



female modular insert, Mixo Data series,
HDMI, 1 module, 0,5 A 40 V 0,8 kV 3, type A

Product description

Product type	modular insert
Series	Mixo Data
Connection type	HDMI
Gender	female
Size	1 module
Specification	type A

Technical data

Voltage	40 V
Rated impulse withstand voltage	0,8 kV
Pollution degree	3
IP degree of protection	IP20 without enclosure, IP65/IP66/IP68/IP69 with enclosure

Further technical details

Characteristics according to EN 61984	0,5 A 40 V 0,8 kV 3
Weight	21,00 g
Operating temperature range (min, max)	-40°C...+70°C

Material properties

Main material	Polycarbonate (PC)
Colour	RAL 7032 grey

General ordering information

EAN13 code	8015747266666
-------------------	---------------

Packaging Information

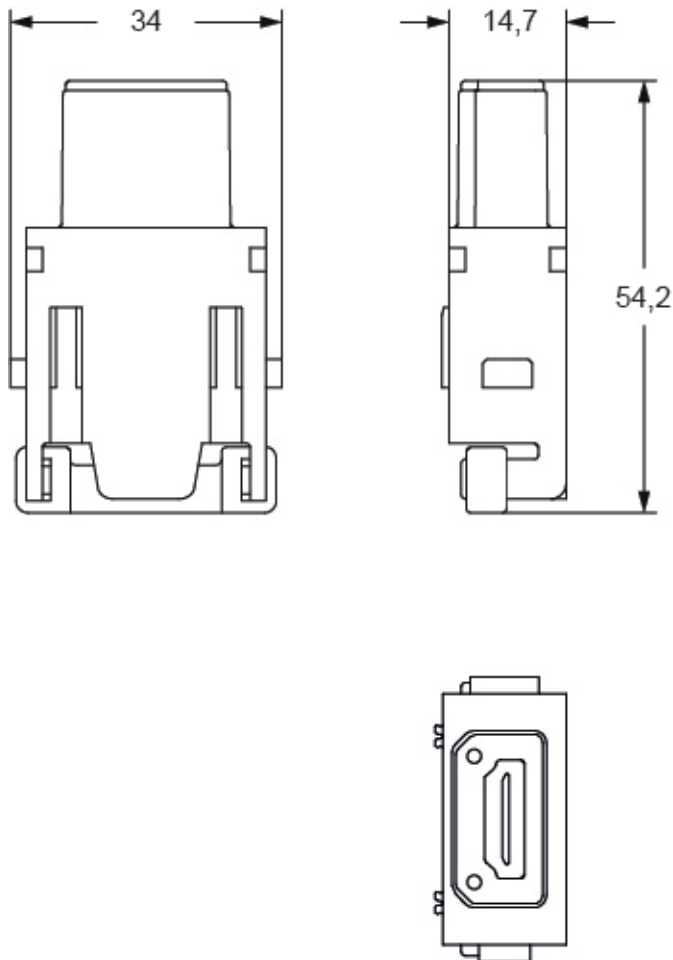
Packaging length	112,00 mm
Packaging height	95,00 mm
Packaging width	117,00 mm
Packaging weight	0,21 kg
Packaging volume	1,24 dm ³
Packaging description	Carton box
Packaging quantity	10 Pcs
Packaging EAN code	8015747266673
Sub-packaging weight	0,02 kg
Sub-packaging description	Plastic bag
Sub-packaging quantity	1 Pcs
Sub-packaging EAN barcode	8015747266680

Part number

CX 01 MIF



Catalogue drawings



Notes

Dimensions shown in mm are not binding and may be changed without notice.

Due to the reduced electrical engagement length of the HDMI standard, the modules have to be installed in enclosure combinations that allow the coupling of the two MIXO frames within 20,5 mm between the fixing points. The following enclosures are recommended:

- V-TYPE housings coupled with metal hoods
- JEI®-V housings coupled with metal hoods
- T-TYPE enclosures with PE jumpers
- MIXO ONE enclosures
- COB panel supports

With the CX 01 MIM male module, it is mandatory to use the CW 2 MIAM patch cord, supplied with a specific cable clamp, tailored to

fit the outline of the HDMI connector.

With the CX 01 MIF female module, it is mandatory to use the CW 2 MIAF patch cord, twin of the CW 2 MIAM but without the cable clamp.

For high quality video signal transmission, with HDMI Type A connectors (19-pole + shield).

Supports HDMI 1.4 and 2.0 standards (HDMI = High Definition Multimedia Interface), full Ultra HD 4k@60 Hz, 4096 x 2160p resolution.

Supports Ethernet up to and including 18 Gb/s.

Supports ARC (Audio Return Channel).