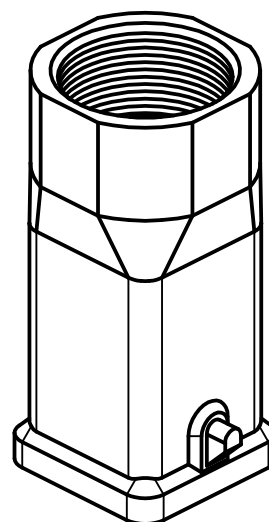


1

2

A

A

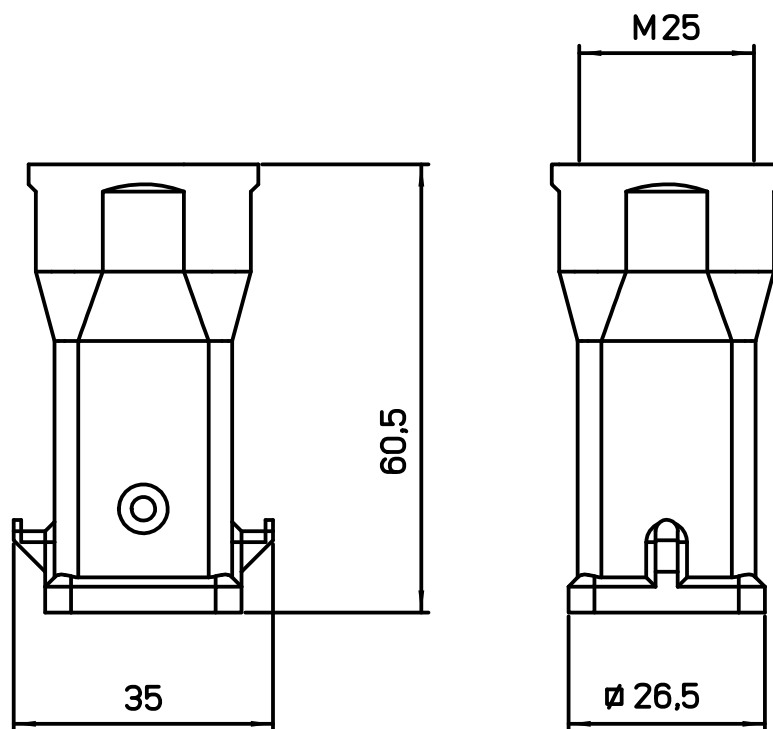


All rights reserved

B

B

Diritti riservati



C

C

REV.	DATE	SIGNATURE	
------	------	-----------	--

	Dimensions in mm	Simplified representation with dimensions without tolerance	
--	------------------	---	--

Original Size A4	MKH V25 Insulating hood top entry M25 - HYGIENIC	Scale	
Date 23/06/20		1:1	
Sign. B. Pitasi			

1

2