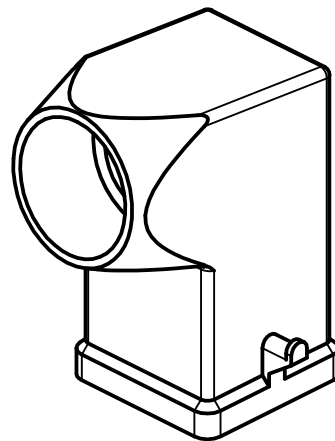


1

2

A

A

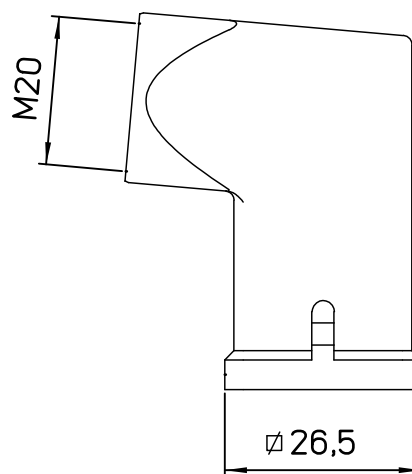
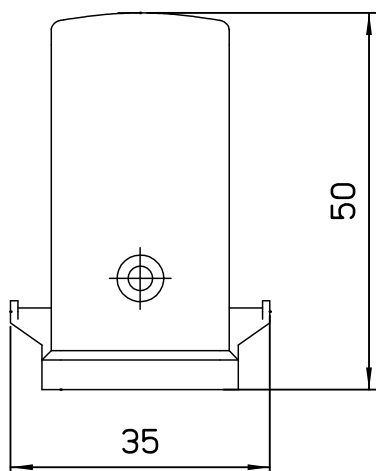


All rights reserved

B

B

Diritti riservati



C

C

REV.	DATE	SIGNATURE	
			Dimensions in mm
Original Size A4			Simplified representation with dimensions without tolerance
Date 23/06/20			MKGH VA20
Sign. B. Pitasi			Insulating hood side entry M20 GASKET - HYGIENIC
			Scale 1:1

1

2