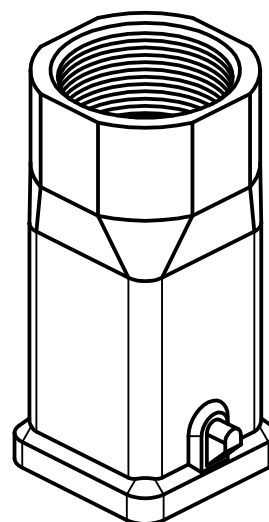


1

2

A

A

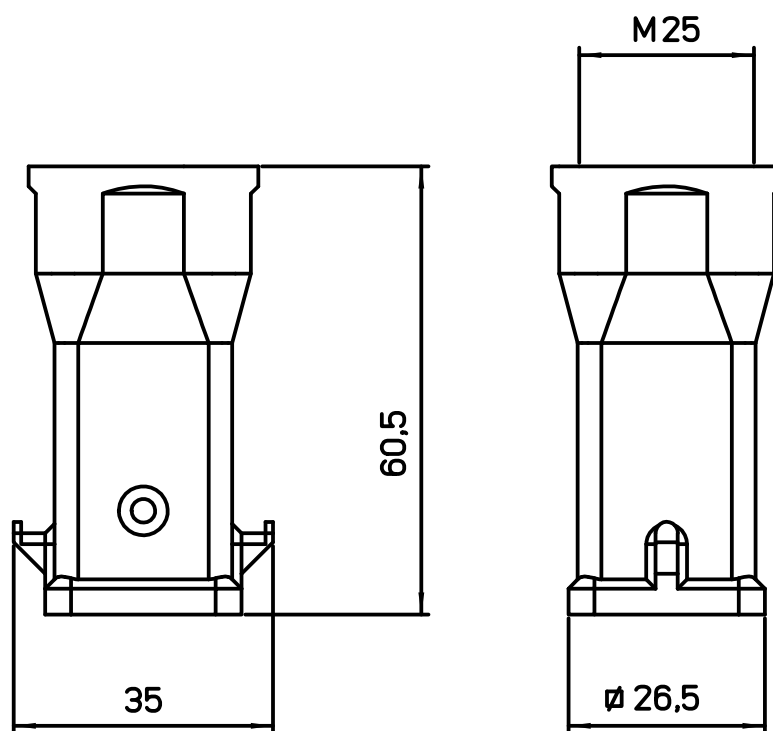


All rights reserved

B

B

Diritti riservati



C

C

REV.	DATE	SIGNATURE
------	------	-----------



Simplified representation with dimensions without tolerance

Original Size A4
Date 23/06/20
Sign. B. Pitasi

MKGH V25
 Insulating hood top entry M25 GASKET - HYGIENIC

Scale
 1:1



1

2