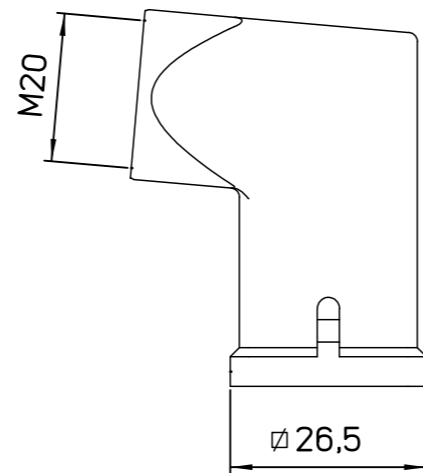
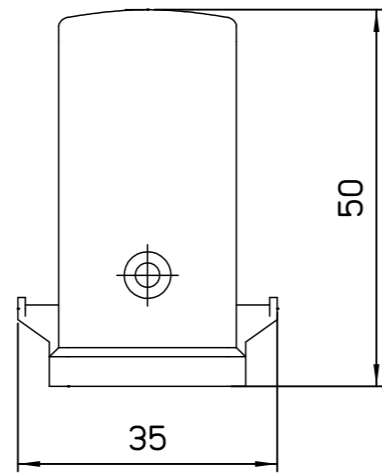
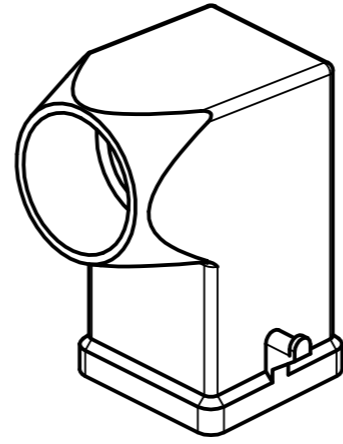



All rights reserved

Diritti riservati



REV.	DATE	SIGNATURE

 **Dimensions in mm**
Original Size A4
Date 23/06/20
Sign. B. Pitasi

Simplified representation with dimensions without tolerance

MKH VA20
Insulating hood side entry M20 - HYGIENIC

Scale
1:1

