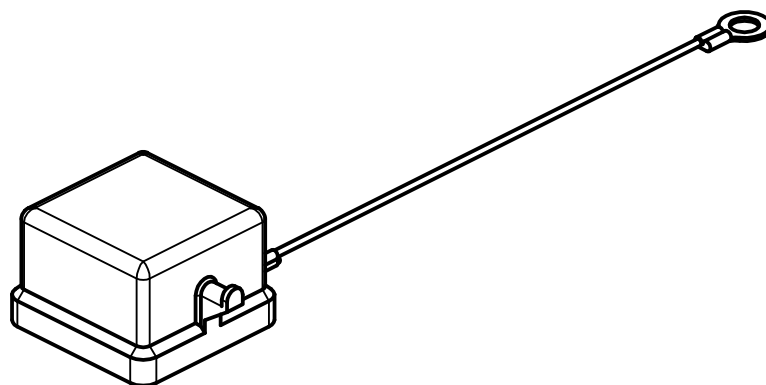


1

2

A

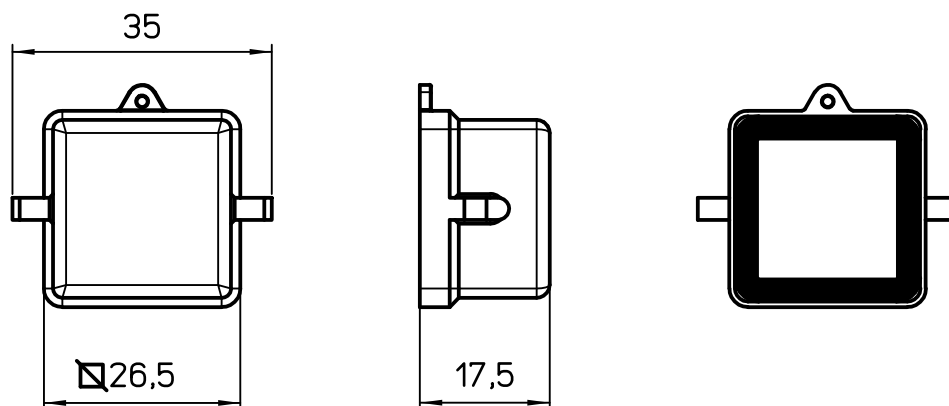
A



All rights reserved

B

B



Diritti riservati

C

C

REV.	DATE	SIGNATURE
------	------	-----------



Simplified representation with dimensions without tolerance

Original Size A4
Date 23/06/20
Sign. B. Pitasi

CKH 03 C
 Insulating cover for female inserts GASKET - HYGIENIC

Scale
1:1



1

2