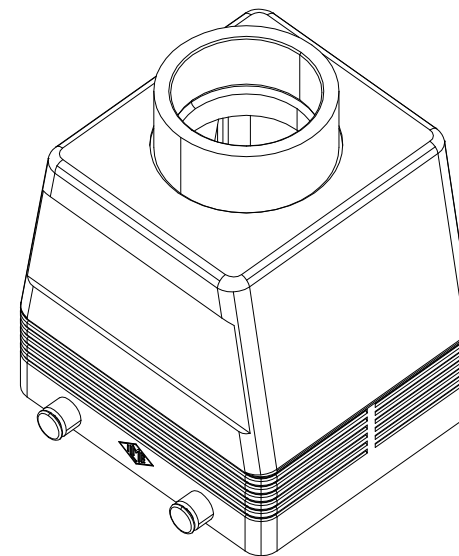
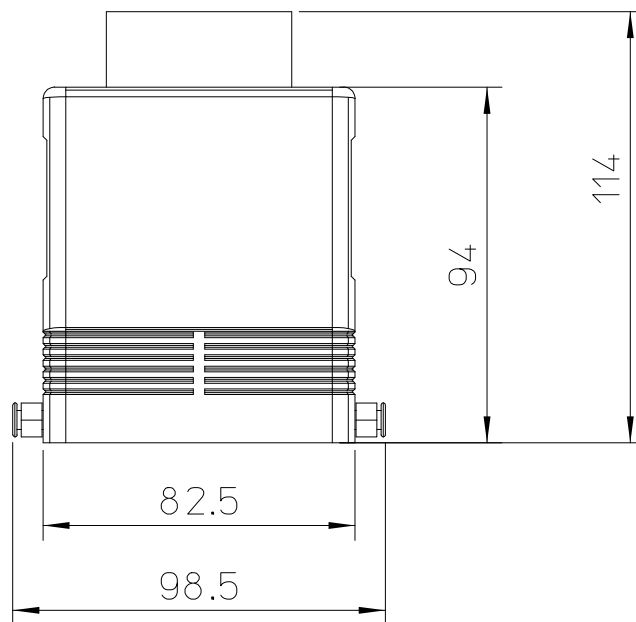
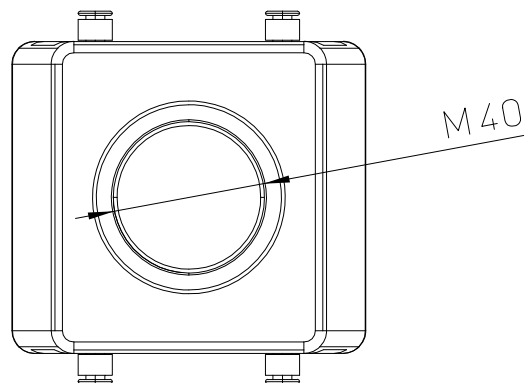
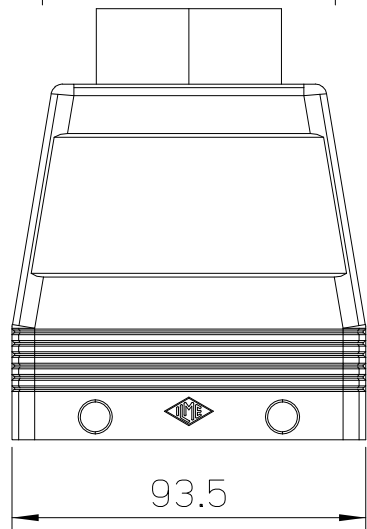
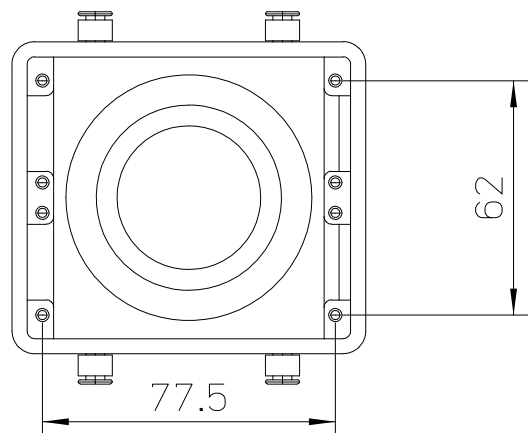


Diritti riservati All rights reserved



dimensions in mm Date 28/03/17 Sign. C. Mainini		MHVE 32.40 Hood, with entry M40 - E-XTREME	Scale 1:2