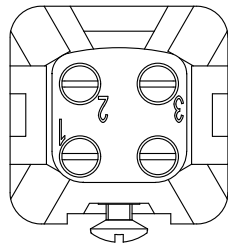
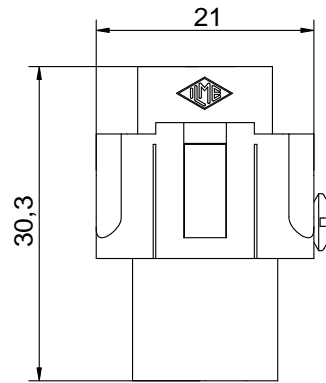
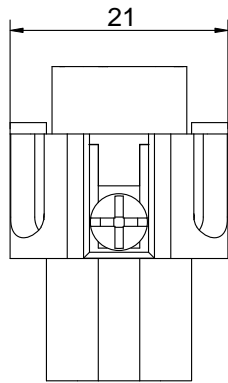
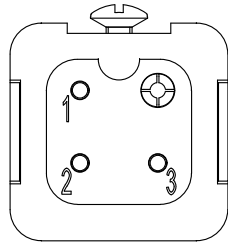


Diritti riservati All rights reserved



Date 29.09.2006

Sign.

CKF 03 N

female insert, screw, 03P 10A 250V

Scale

2:1

