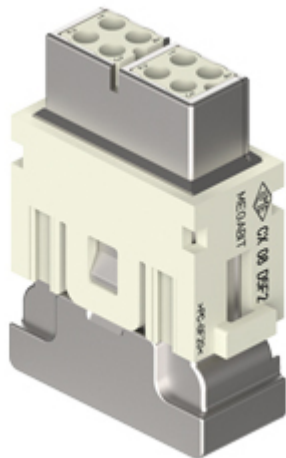


Part number

CX 08 D5F2



female modular insert, Mixo Megabit series, crimp connection, 8 poles, 1 module, 10 A 50 V 0,8 kV 3, shielded, 2 cable entries

Product description	
Product type	modular insert
Series	Mixo Megabit
Connection type	crimp connection
Gender	female
N. of poles	8 poles
Size	1 module
Specification	2 cable entries shielded

Technical data	
Current	10 A
Voltage	50 V
Rated impulse withstand voltage	0,8 kV
Pollution degree	3
Rated voltage according to UL/CSA	50 V
IP degree of protection	IP20 without enclosure, IP65/IP66/IP68/IP69 with enclosure

Further technical details	
Characteristics according to EN 61984	10 A 50 V 0,8 kV 3
Mating cycles	≥ 500
Insulation resistance	≥ 10 GΩ
Weight	44,50 g
Operating temperature range (min, max)	-40 °C ... +85 °C
UL 94 flammability rating	V-0

Material properties	
Main material	polycarbonate
Colour	RAL 7032 grey

General ordering information	
EAN13 code	8015747270809

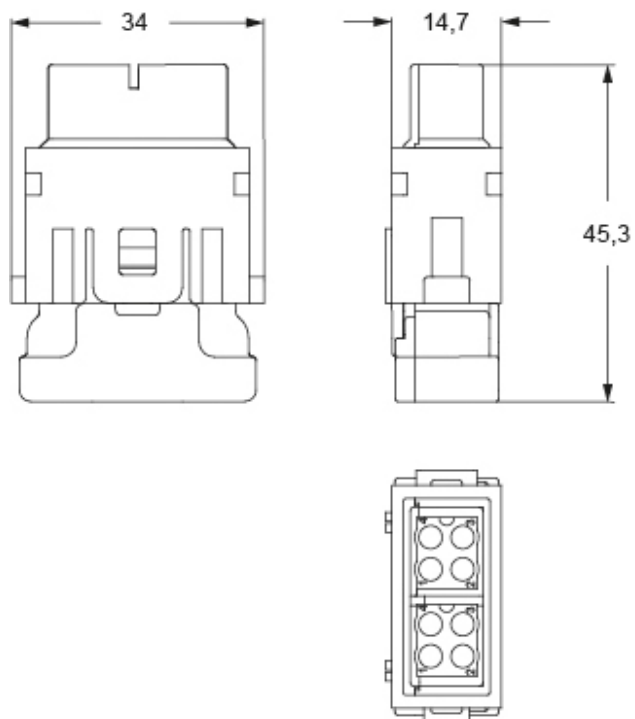
Packaging Information	
Packaging length	112,00 mm
Packaging height	95,00 mm
Packaging width	117,00 mm
Packaging weight	0,49 kg
Packaging volume	1,24 dm ³
Packaging description	Carton box
Packaging quantity	10 Pcs
Packaging EAN code	8015747270816
Sub-packaging weight	0,05 kg
Sub-packaging description	Plastic bag
Sub-packaging quantity	1 Pcs
Sub-packaging EAN barcode	8015747270823

Part number

CX 08 D5F2



Catalogue drawings



Notes

Dimensions shown in mm are not binding and may be changed without notice.

Cat 5 class E up to 100MHz
