

Part number

CX 08 D5F



female modular insert, Mixo Megabit series, crimp connection, 8 poles, 1 module, 10 A 50 V 0,8 kV 3, shielded, 1 cable entry

Product description

Product type	modular insert
Series	Mixo Megabit
Connection type	crimp connection
Gender	female
N. of poles	8 poles
Size	1 module
Specification	1 cable entry shielded

Technical data

Current	10 A
Voltage	50 V
Rated impulse withstand voltage	0,8 kV
Pollution degree	3
Rated voltage according to UL/CSA	50 V
IP degree of protection	IP20 without enclosure, IP65/IP66/IP68/IP69 with enclosure

Further technical details

Characteristics according to EN 61984	10 A 50 V 0,8 kV 3
Mating cycles	≥ 500
Insulation resistance	≥ 10 GΩ
Weight	46,00 g
Operating temperature range (min, max)	-40 °C ... +85 °C
UL 94 flammability rating	V-0

Material properties

Main material	polycarbonate
Colour	RAL 7032 grey

General ordering information

EAN13 code	8015747270946
-------------------	---------------

Packaging Information

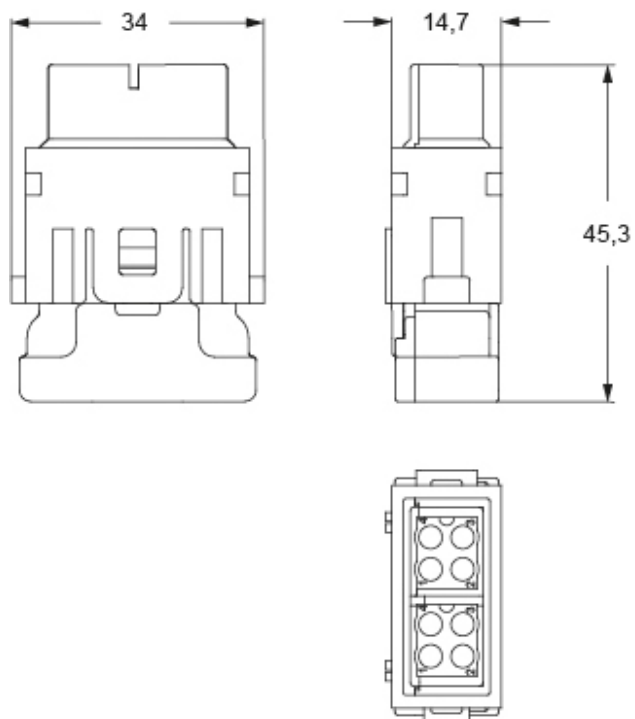
Packaging length	112,00 mm
Packaging height	95,00 mm
Packaging width	117,00 mm
Packaging weight	0,51 kg
Packaging volume	1,24 dm ³
Packaging description	Carton box
Packaging quantity	10 Pcs
Packaging EAN code	8015747270953
Sub-packaging weight	0,05 kg
Sub-packaging description	Plastic bag
Sub-packaging quantity	1 Pcs
Sub-packaging EAN barcode	8015747270960

Part number

CX 08 D5F



Catalogue drawings



Notes

Dimensions shown in mm are not binding and may be changed without notice.

Cat 5 class E up to 100MHz
