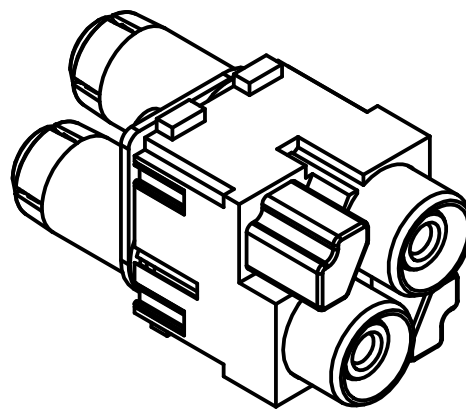
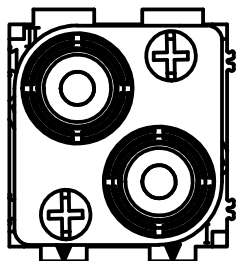


1

2

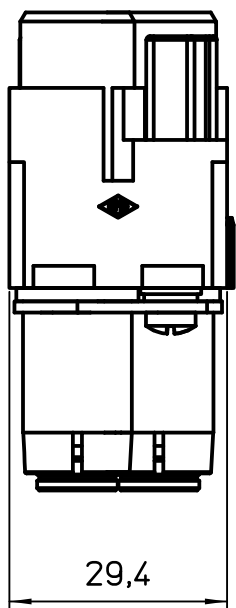
A

A

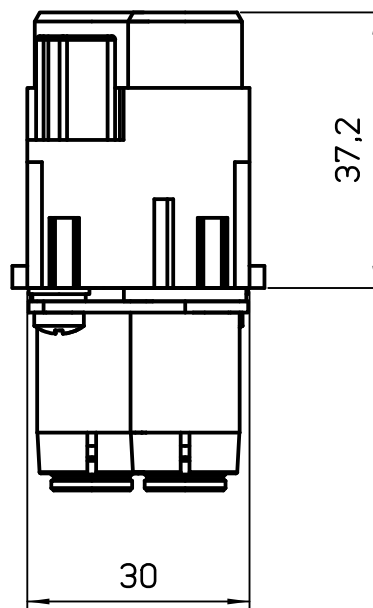


B

B



29,4

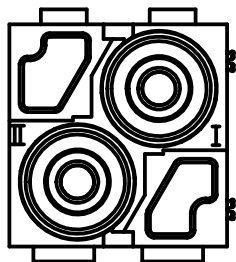


37,2

30

C

C



Diritti riservati  
All rights reserved

Diritti riservati  
All rights reserved

REV.	DATE	SIGNATURE		
<b>Dimensions in mm</b>		Simplified representation with dimensions without tolerance		
Original Size A4		CX 02 4HF	Scale	
Date 03/05/16			1:1	
Sign. D. Bonino			Female modular, crimp, 2P 40A 2900/5000V.	
			1	2