

Part number

# MFOE 06 L32M



Hood, E-Xtreme® V-TYPE series, with 2 pegs, M32 side cable entry without adapter, size "44.27", high construction

#### Product description

|                      |   |
|----------------------|---|
| <b>Product type</b>  | hood                                    |
| <b>Series</b>        | E-Xtreme® V-TYPE                        |
| <b>Closing type</b>  | with 2 pegs                             |
| <b>Size</b>          | size "44.27"                            |
| <b>Cable entry</b>   | side cable entry without adapter<br>M32 |
| <b>Specification</b> | high construction                       |

#### Technical data

|                                |                |
|--------------------------------|----------------|
| <b>IP degree of protection</b> | IP66/IP67/IP69 |
|--------------------------------|----------------|

#### Further technical details

|               |        |
|---------------|--------|
| <b>Weight</b> | 1,00 g |
|---------------|--------|

#### General ordering information

|                   |               |
|-------------------|---------------|
| <b>EAN13 code</b> | 8015747254410 |
|-------------------|---------------|

#### Packaging Information

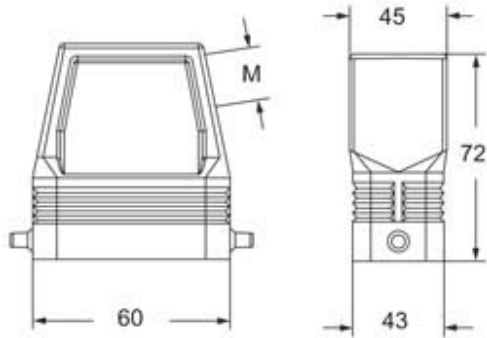
|                                  |                      |
|----------------------------------|----------------------|
| <b>Packaging length</b>          | 175,00 mm            |
| <b>Packaging height</b>          | 195,00 mm            |
| <b>Packaging width</b>           | 260,00 mm            |
| <b>Packaging volume</b>          | 8,87 dm <sup>3</sup> |
| <b>Packaging description</b>     | Carton box           |
| <b>Packaging quantity</b>        | 10 Pcs               |
| <b>Packaging EAN code</b>        | 8015747261319        |
| <b>Sub-packaging description</b> | Plastic packaging    |
| <b>Sub-packaging quantity</b>    | 5 Pcs                |
| <b>Sub-packaging EAN barcode</b> | 8015747261326        |

Part number

# MFOE 06 L32M



## Catalogue drawings



---

## Notes

Dimensions shown in mm are not binding and may be changed without notice.

---