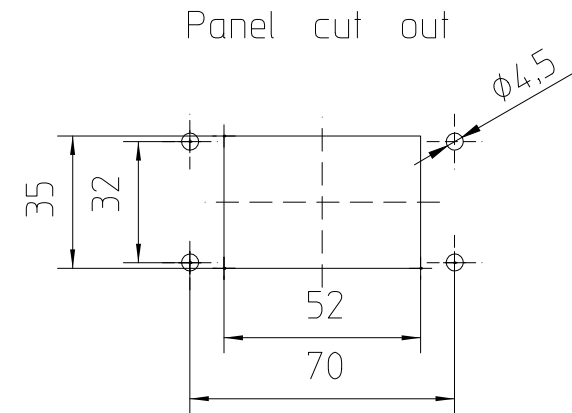
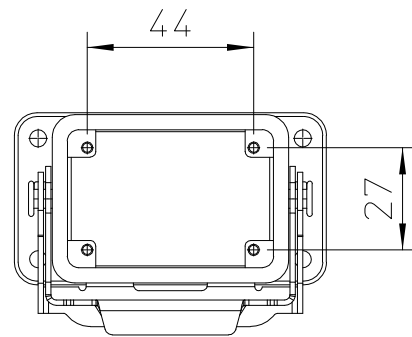
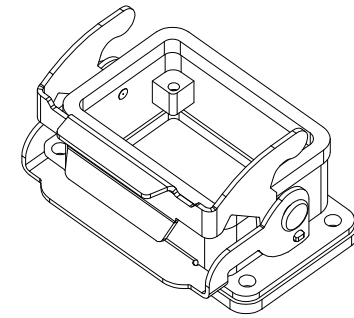
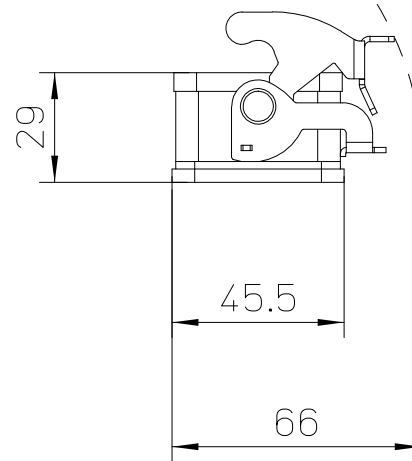
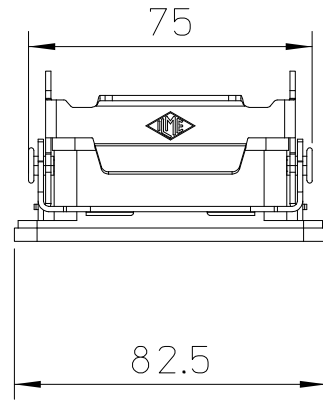


Diritti riservati All rights reserved



<b>dimensions in mm</b> <b>Date</b> 17/11/16 <b>Sign.</b> C. Mainini	<b>C7IE 06 L</b> <b>Bulkhead housing - E-XTREME</b>	<b>Scale</b> <b>1:2</b>	