

240PBM-CR

BNC Male for CNT-240 braided cable



Product Classification

| | |
|---------------------|-------------------------|
| Brand | CNT® |
| Product Type | Braided cable connector |

General Specifications

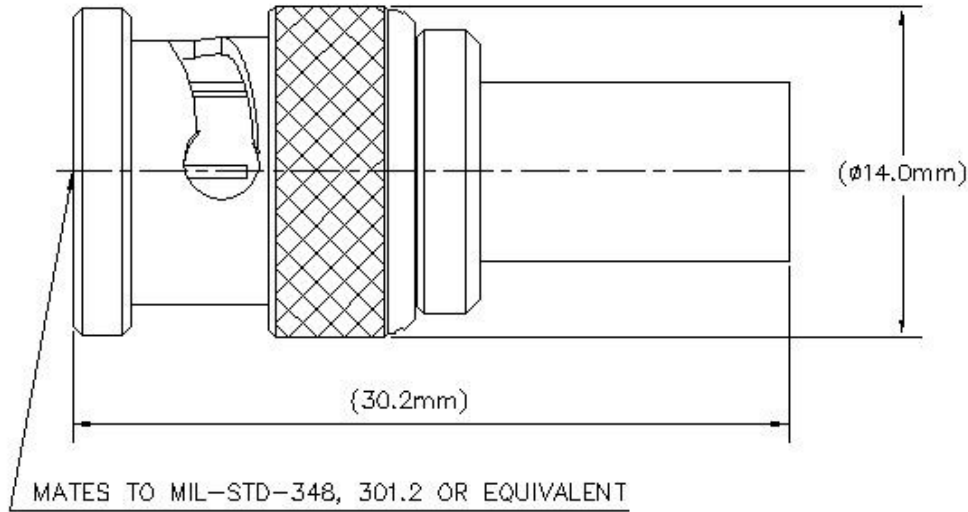
| | |
|-------------------|----------|
| Interface | BNC Male |
| Body Style | Straight |

Electrical Specifications

| | |
|---|-------------------|
| Operating Frequency Band | 0 – 6000 MHz |
| Average Power at Frequency | 260.0 W @ 900 MHz |
| Cable Impedance | 50 ohm |
| Connector Impedance | 50 ohm |
| RF Operating Voltage, maximum (vrms) | 500.00 V |
| dc Test Voltage | 1500 V |
| Outer Contact Resistance, maximum | 1.00 mOhm |
| Inner Contact Resistance, maximum | 2.50 mOhm |
| Insulation Resistance, minimum | 5000 MOhm |
| Peak Power, maximum | 5.00 kW |
| Insertion Loss, typical | 0.05 dB |

240PBM-CR

Outline Drawing



Mechanical Specifications

| | |
|--|-----------------------|
| Outer Contact Attachment Method | Crimp |
| Outer Contact Plating | Trimetal |
| Inner Contact Plating | Gold |
| Inner Contact Attachment Method | Solder |
| Interface Durability | 500 cycles |
| Interface Durability Method | IEC 61169-8:9.5 |
| Connector Retention Tensile Force | 134 N 30 lbf |
| Connector Retention Torque | 0.23 N-m 0.17 ft lb |
| Insertion Force | 15.00 N 3.37 lbf |
| Insertion Force Method | IEC 61169-8:9.3.5 |
| Pressurizable | No |

Dimensions

| | |
|---------------------|--------------------|
| Nominal Size | 0.240 in |
| Diameter | 14.00 mm 0.55 in |
| Length | 30.16 mm 1.19 in |
| Weight | 22.00 g 0.05 lb |
| Width | 14.00 mm 0.55 in |

Environmental Specifications

| | |
|---|---------------------------------------|
| Operating Temperature | -40 °C to +85 °C (-40 °F to +185 °F) |
| Storage Temperature | -65 °C to +125 °C (-85 °F to +257 °F) |
| Water Jetting Test Mating | Mated |
| Water Jetting Test Method | IEC 60529:2001, IP65 |
| Mechanical Shock Test Method | IEC 60068-2-27 |
| Climatic Sequence Test Method | IEC 60068-1 |
| Damp Heat Steady State Test Method | IEC 60068-2-3 |
| Thermal Shock Test Method | IEC 60068-2-14 |
| Vibration Test Method | IEC 60068-2-6 |
| Corrosion Test Method | IEC 60068-2-11 |

Standard Conditions

| | |
|---|-----------------|
| Attenuation, Ambient Temperature | 20 °C 68 °F |
| Average Power, Ambient Temperature | 40 °C 104 °F |
| Average Power, Inner Conductor Temperature | 100 °C 212 °F |

Return Loss/VSWR

| Frequency Band | VSWR | Return Loss (dB) |
|-----------------------|-------------|-------------------------|
| 0–3000 MHz | 1.12 | 25.00 |
| 3000–6000 MHz | 1.22 | 20.10 |

Regulatory Compliance/Certifications

| Agency | Classification |
|----------------------------|--|
| RoHS 2011/65/EU | Compliant by Exemption |
| ISO 9001:2015 | Designed, manufactured and/or distributed under this quality management system |
| China RoHS SJ/T 11364-2014 | Above Maximum Concentration Value (MCV) |



* Footnotes

Insertion Loss, typical 0.05√freq (GHz) (not applicable for elliptical waveguide)