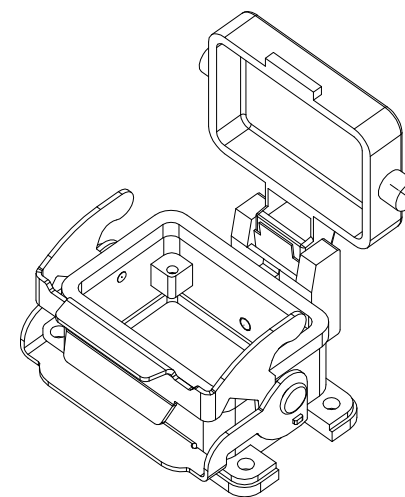
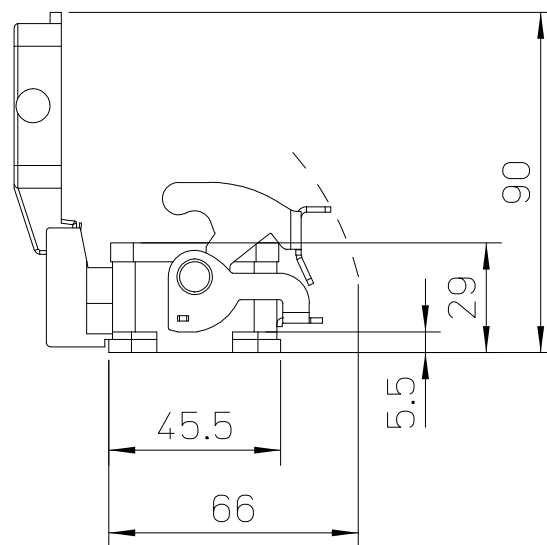
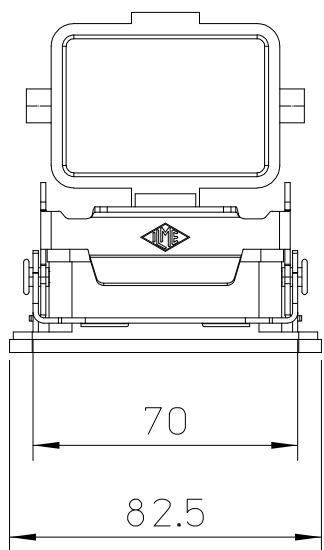
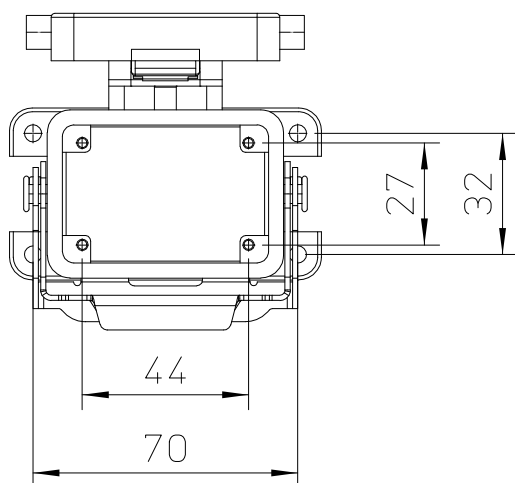
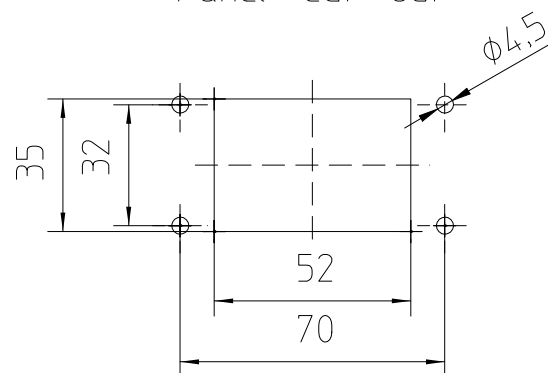



Diritti riservati All rights reserved



Panel cut out



dimensions in mm	C71 06 LS	Scale	
Date 28/11/16	Bulkhead housing, with cover, 1 lever	1:2	
Sign. C. Mainini			