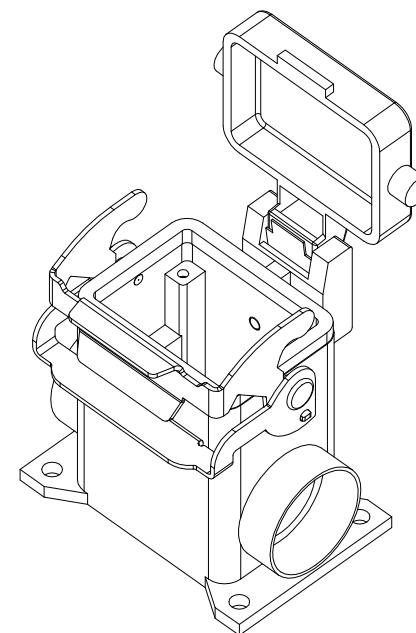
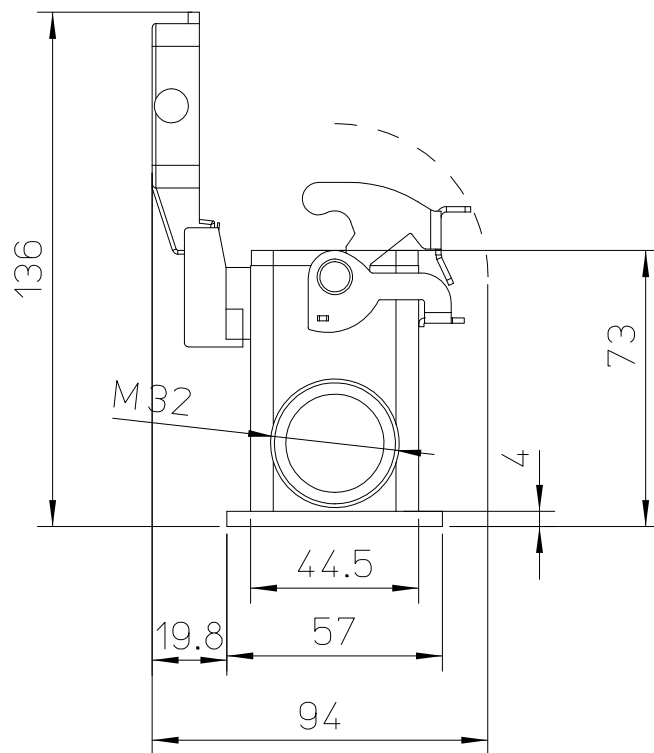
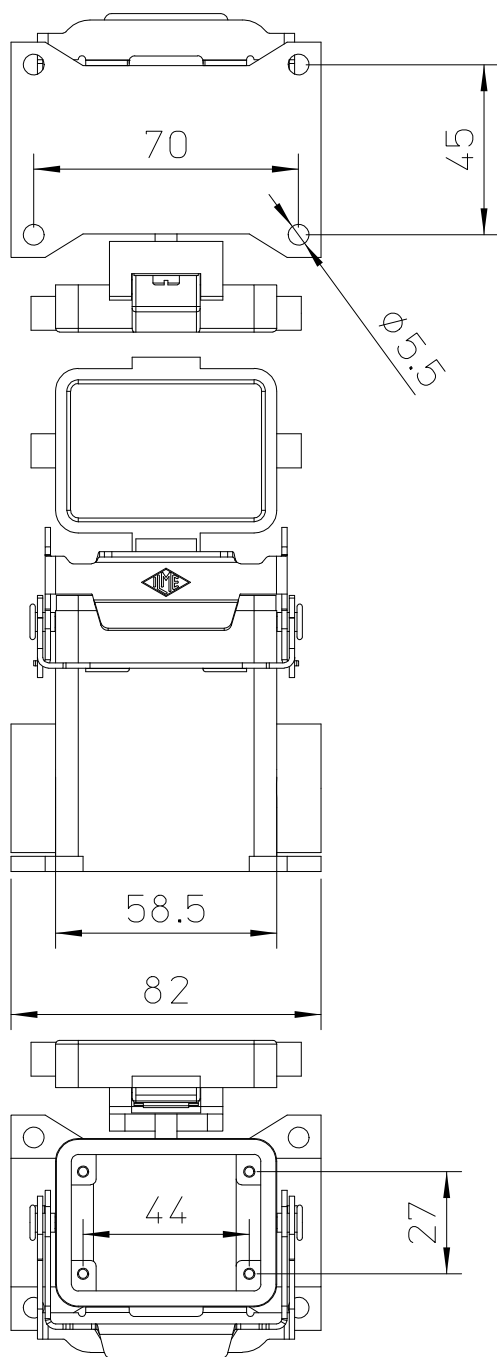



Diritti riservati All rights reserved



dimensions in mm		M7AP 06 LS32 Surface mounting housing with cover, M32, 1 lever - IP67	Scale 1:2	
Date	11/04/17			
Sign.	C. Mainini			