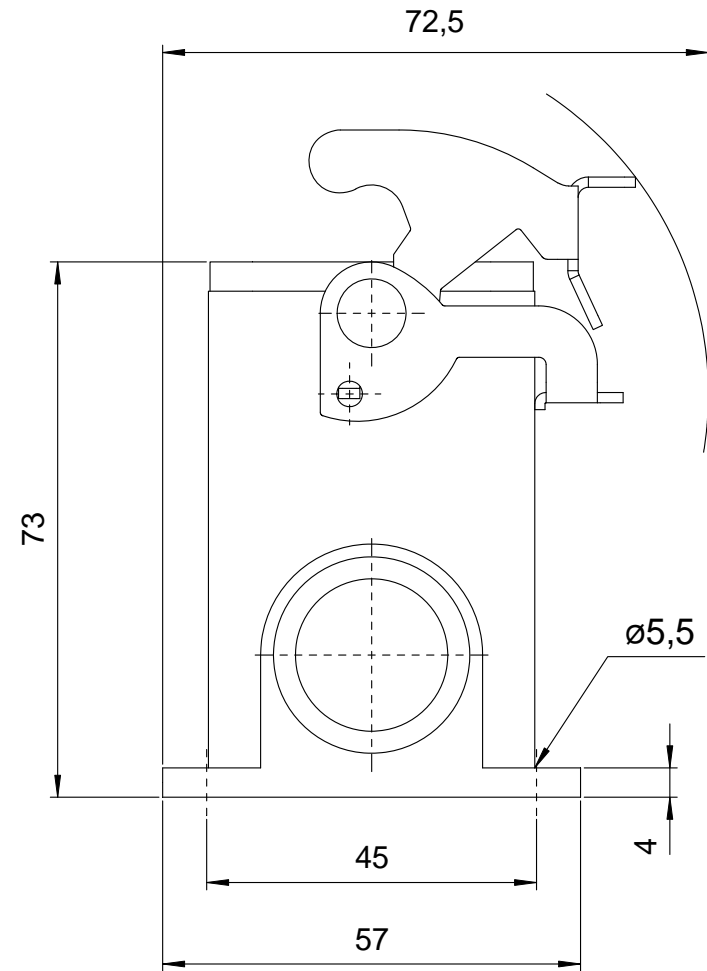
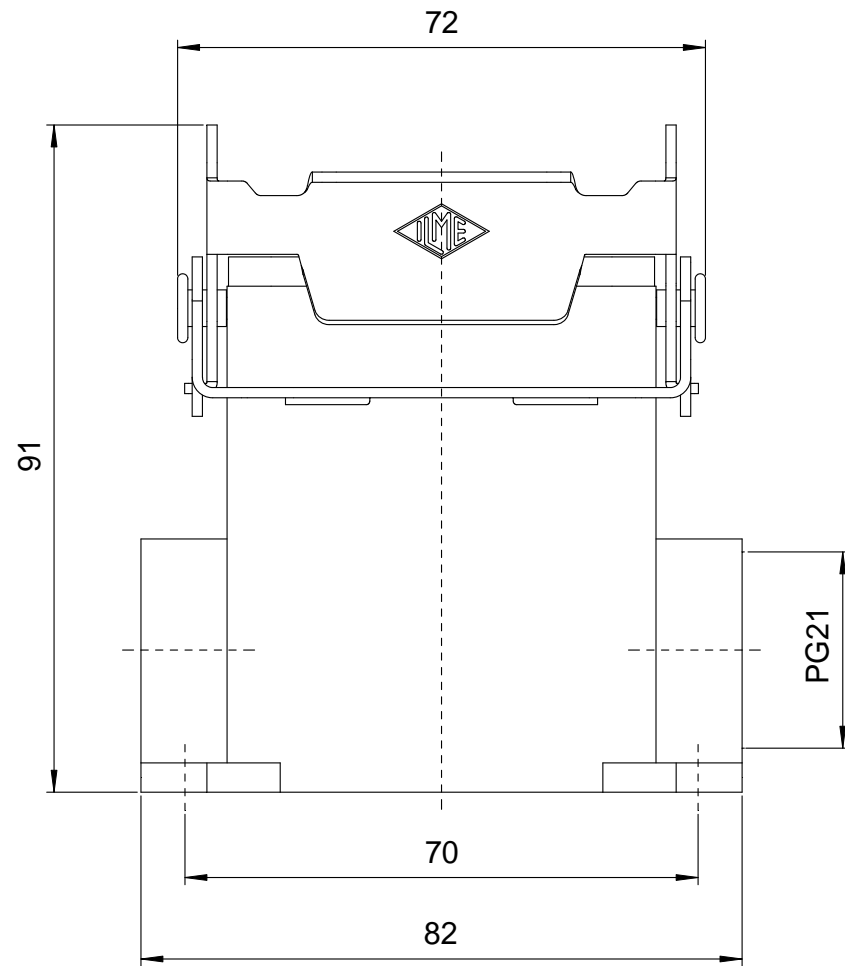


Diritti riservati

All rights reserved



dimensions in mm	
Date 08/08/14	
Sign. Pezzimenti	

C7AP 06 L
Surface mounting h. 1 lev. PG21.

Scale
1:1

