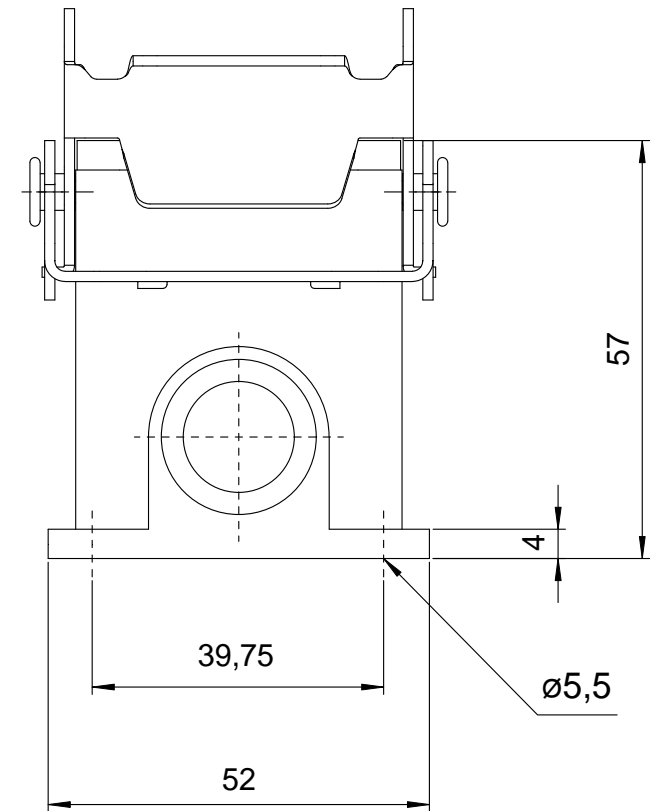
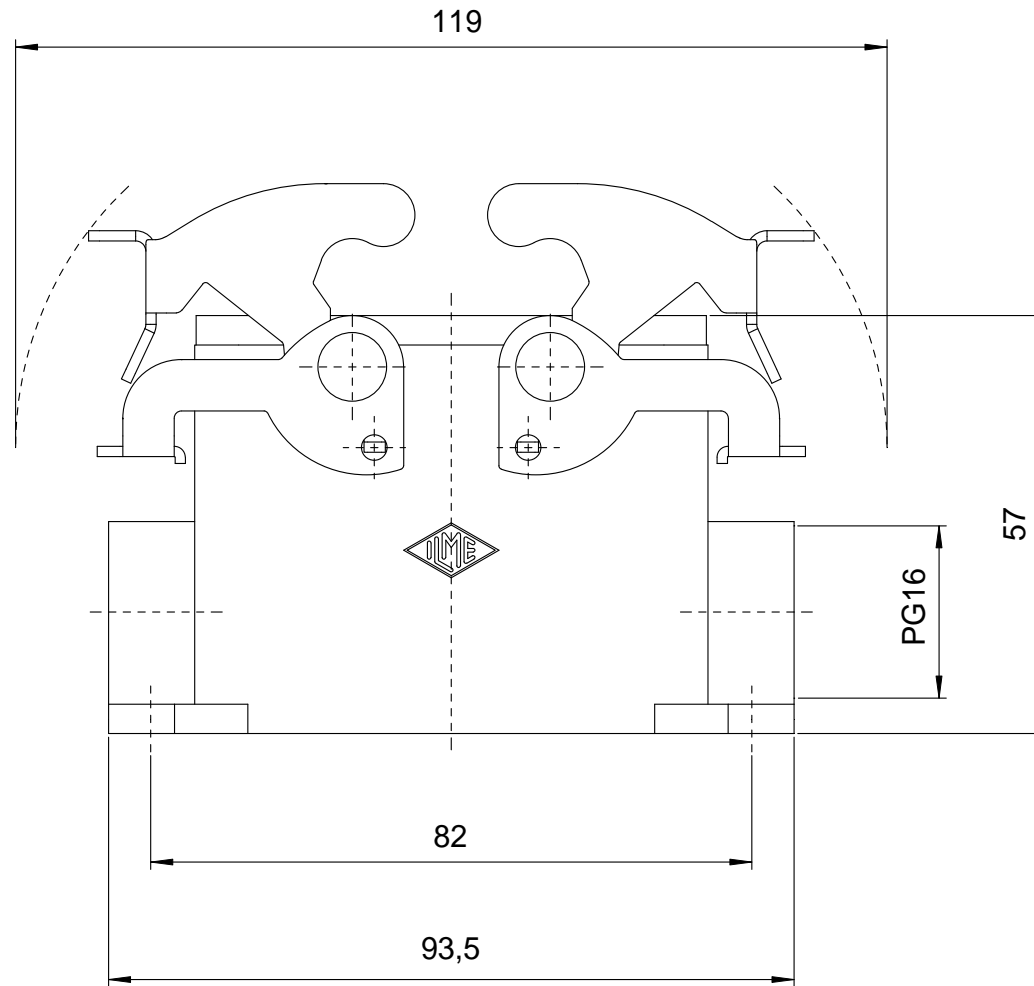


Diritti riservati

All rights reserved



dimensions in mm	
Date 08/08/14	
Sign. Pezzimenti	

**C7P 10**  
surface mounting housing, 2 levers. PG161:1

Scale

