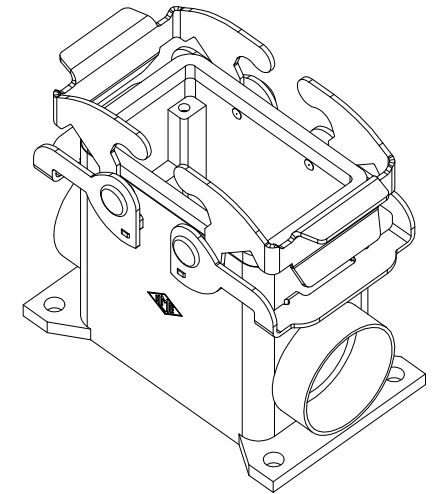
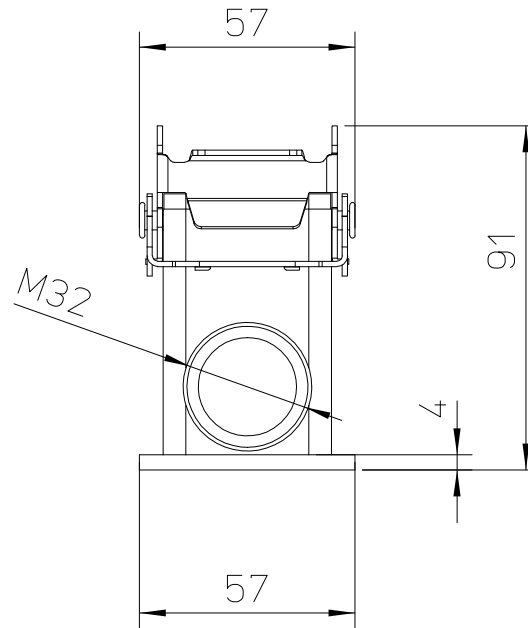
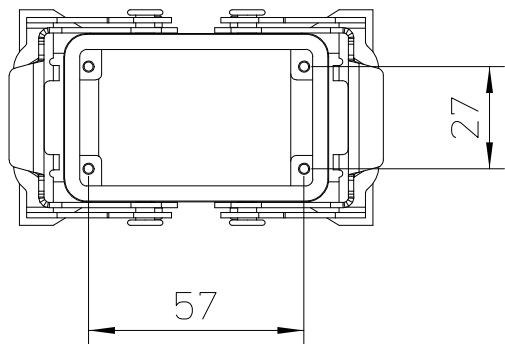
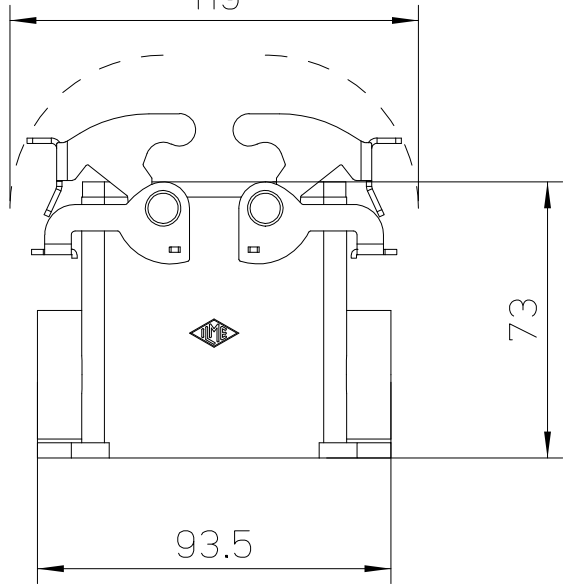
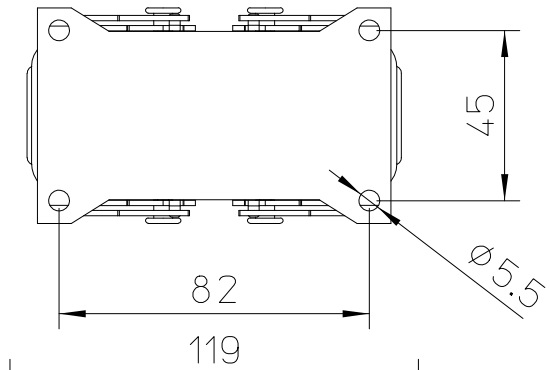



Diritti riservati All rights reserved



dimensions in mm		<b>M7AP 10.32</b> Surface mounting housing, M32, 2 levers	Scale 1:2	
Date	06/04/17			
Sign.	C. Mainini			