

Part number

# M7AP 06 LS32



## Brief description:

surface mounting housing with single lever in stainless steel and cover, size "44.27", high construction, M32, metal version, IP66/IP67

### Product description

<b>Version</b>	C7 - CV and M7 - MV enclosures, V-Type lever version
<b>Series</b>	Surface mounting housings with 1 lever
<b>Product type</b>	with stainless steel lever
<b>Variant</b>	metal cover
<b>Style</b>	high construction
<b>Family</b>	C7 - CV and M7 - MV enclosures, V-Type lever version
<b>Size</b>	size "44.27"

### Technical data

<b>Operating temperature range (min, max)</b>	-40 °C...+125 °C
<b>Material</b>	metal
<b>IP degree of protection</b>	IP66/ IP67 (EN 60529) and IP69K (DIN 40050 - 9) degree of protection.
<b>Cable entry</b>	M32

### General ordering information

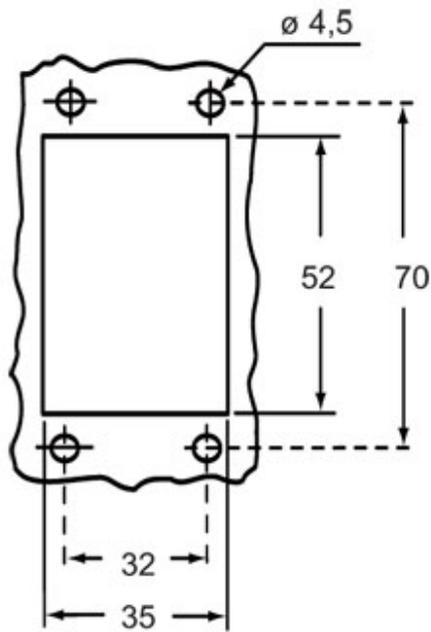
<b>EAN13 code</b>	8015747240086
-------------------	---------------

Part number

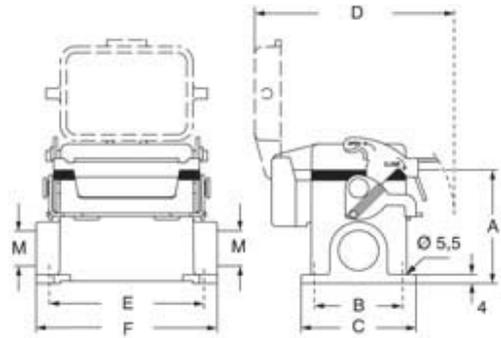
# M7AP 06 LS32



Catalogue drawings



Catalogue drawings



type	A	B	C	D	E	F
M7P 06 LS	53	40	52	91	70	82
M7AP 06 LS	73	45	57	91	70	82