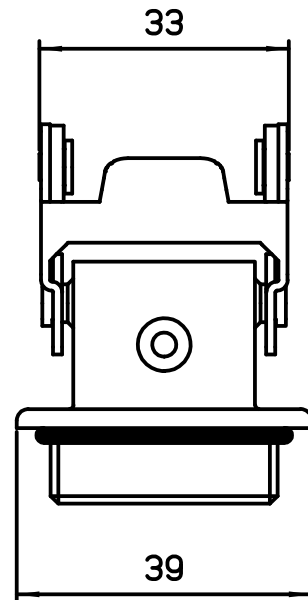
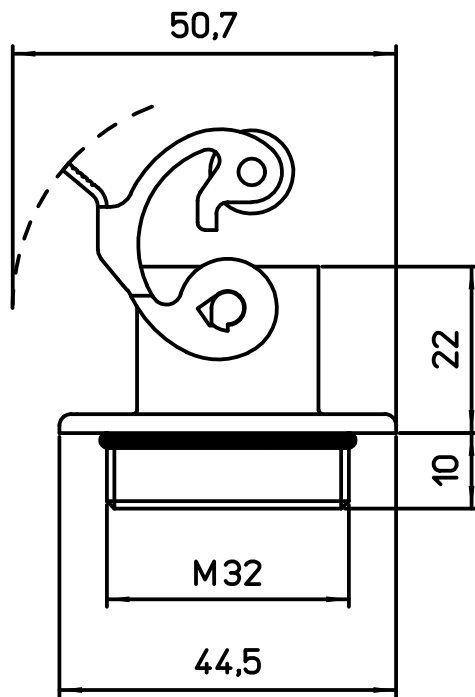
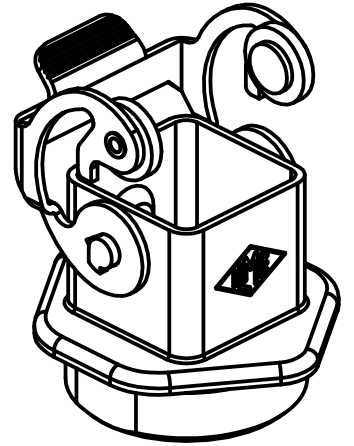
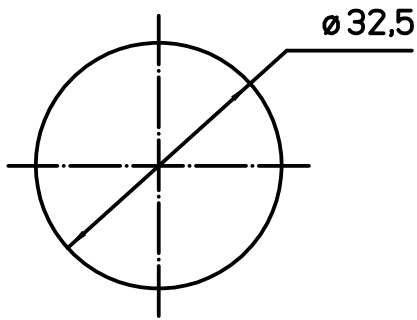



Panel cut out



Diritti riservati All rights reserved

dimensions in mm	MKAXW IF Bulkhead housing, stainless steel lever, M32 - AE	Scale	
Date 26/03/18		1:1	
Sign. Radice			