

Part number

# MKAXW IF



## Brief description:

bulkhead mounting housing with 1 stainless steel lever and round threaded appendix, size "21.21", 1 x M32, version for aggressive environments

### Product description

|                     |  |
|---------------------|--|
| <b>Version</b>      | W-TYPE version for aggressive environments |
| <b>Series</b>       | Bulkhead mounting housings with 1 lever    |
| <b>Product type</b> | with stainless steel lever                 |
| <b>Variant</b>      | round threaded appendix                    |
| <b>Family</b>       | CKA metal enclosures                       |
| <b>Size</b>         | size "21.21"                               |

### Technical data

|   |   |
|---|---|
| <b>Operating temperature range (min, max)</b> | -40°C...+125°C                                  |
| <b>Material</b>                               | metal   |
| <b>IP degree of protection</b>                | IP44 (IP66/IP67/IP69 with CKR 65/CKR 65 D kits) |
| <b>Cable entry</b>                            | M32   |

### General ordering information

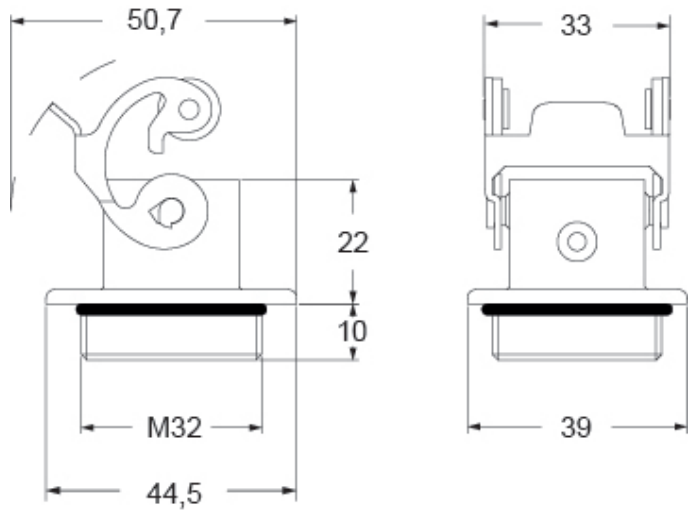
|                   |               |
|-------------------|---------------|
| <b>EAN13 code</b> | 8015747269018 |
|-------------------|---------------|

Part number

# MKAXW IF



Catalogue drawings



Catalogue drawings

