



Part number

MK VGN20



Brief description:

Hoods with single lever, size "21.21", top entry, M20, thermoplastic version, IP44, IP66/IP67 degree of protection with CKR 65 kit or CKR 65 D kit.

Product description		Approvals / Standards	
Version	thermoplastic version	Quality mark	 type: 12, (type 4/4X only with kit CKR 65 or CKR 65 D),  , EAC
Series	Hoods with 1 lever	Conformity	CQC, CE
Product type	with 1 lever	General ordering information	
Variant	top entry	EAN13 code	8015747056656
Style	black colour	Tariff number	85369095
Family	CK thermoplastic enclosures	Packaging Information	
Size	size "21.21"	Packaging length	330,00 mm
Technical data		Packaging height	170,00 mm
Operating temperature range (min, max)	-40°C ... +125°C	Packaging width	230,00 mm
Material	thermoplastic	Packaging weight	2,09 kg
IP degree of protection	IP44 (IP66/IP67/IP69 with CKR 65/CKR 65 D kits)	Packaging volume	12,90 dm ³
Cable entry	M20	Packaging description	Carton box
Further technical details		Packaging quantity	100 Pcs
Weight	14,00 g	Packaging EAN code	8015747056663
		Sub-packaging length	100,00 mm
		Sub-packaging height	58,00 mm
		Sub-packaging width	145,00 mm
		Sub-packaging weight	0,21 kg
		Sub-packaging volume	0,84 dm ³
		Sub-packaging description	Carton box
		Sub-packaging quantity	10 Pcs
		Sub-packaging EAN barcode	8015747056670

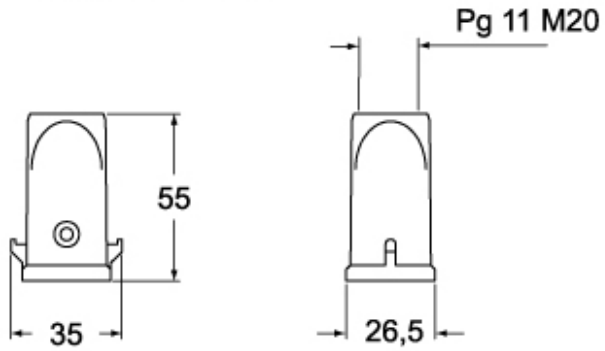
Part number

MK VGN20

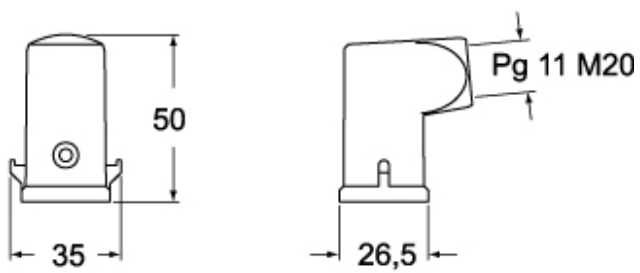


Catalogue drawings

CK V(N)S - MK V(N)



CK VA(N)S - MK VA(N)



CK VG(N)S - MK VG(N)

