

Part number

# CX PLF



## Brief description:

female contacts POF \* 1.0 mm

### Product description

<b>Model</b>	female contacts
<b>Version</b>	POF / MOST crimp contacts
<b>Series</b>	POF female contacts Ø 1.0 mm
<b>Family</b>	crimp contacts
<b>N. of poles</b>	1 pole fibre optics

### Further technical details

<b>Weight</b>	4,00 g
---------------	--------

### Approvals / Standards

<b>Quality mark</b>	
<b>Conformity</b>	Not applicable

### General ordering information

<b>EAN13 code</b>	8015747095648
<b>Tariff number</b>	85369095

### Packaging Information

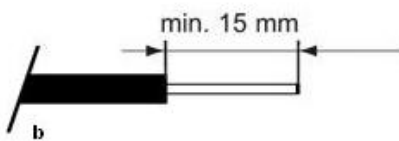
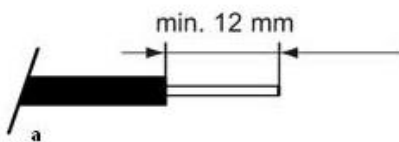
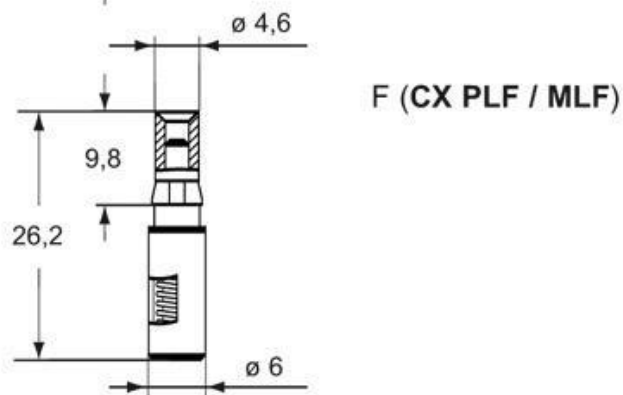
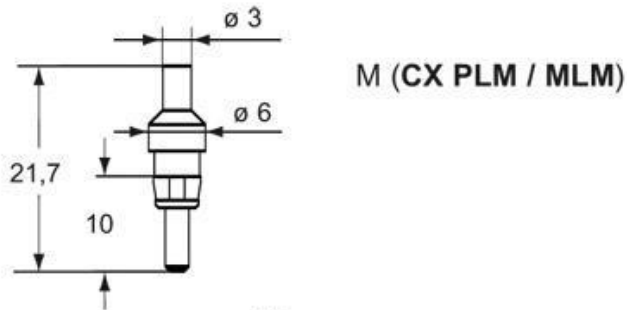
<b>Sub-packaging weight</b>	0,02 kg
<b>Sub-packaging description</b>	Plastic bag
<b>Sub-packaging quantity</b>	4 Pcs
<b>Sub-packaging EAN barcode</b>	8015747173445

Part number

# CX PLF



## Catalogue drawings



## Notes

\* POF = Polymer Optical Fibre

- to crimp contacts CX PLF / PLM and CX MLF / MLM please use tool CLPZ R

- max external diameter: 2.2 mm (POF) / 2.3 mm (MOST)

- polymer fibre diameter: 1.0 mm (POF) 1/1.5 mm (MOST)

- attenuation: < 2.5 dB

- temperature range: -40 °C ÷ +85 °C

