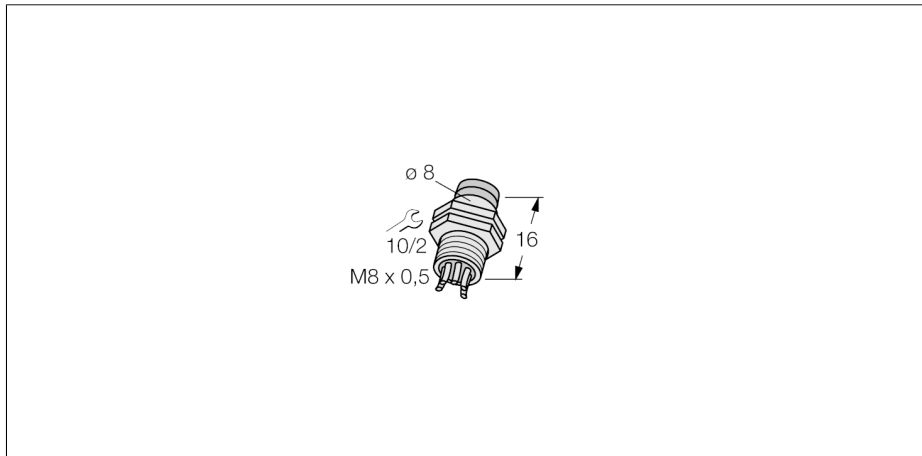
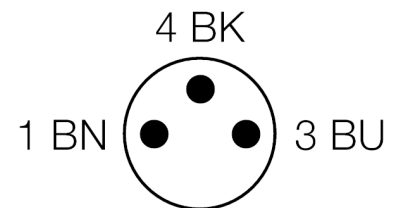


M8 x 1 / Ø 8mm round connector
Ø 8mm male flange connector, with litz wire
PFS3-0,2



- robust and pre-assembled round connector
- Degree of protection IP67
- with 0.2 m litz wire
- also available with other litz wire lengths

Wiring diagram



Type	PFS3-0,2
Ident-No.	8008165
Connector	Male flange connector, Ø 8 mm, with litz wire
Polarity	3-pole
Contacts	metal, CuZn, gold-plated
Contact carriers	plastic, PA 6-3-T, black
Screw-in thread seal	plastic, NBR
Flange housing	metal, CuZn, nickel-plated
Degree of protection	IP67, only in plugged state
Screw-in thread	M8 x 1
Mechanical lifespan	min. 100 contact durability
Pollution degree	3
Core insulation material	PVC
Core cross-section	3x0.25 mm ²
Litz wire arrangement	14x0.15 mm
Litz wire length	0.2 m
Rated voltage	max. 60 V
Insulation resistance	≥ 10 ⁸ Ω
Ampacity	4 A
Ambient temperature Connector	-30... +90 °C

