


Part number

CX 04 BM



Brief description:

male insert, 4 poles + shield, shielded connectors, 10A 50V, 0,8kV, 3, modular units series MIXO

| Product description | | Approvals / Standards | |
|---|--|-------------------------------------|--|
| Model | male insert | Reference standard | EN 61984:2009-06 |
| Version | shielded connectors | Quality mark |  EAC |
| Product type | for male contacts 10A | Conformity | CQC |
| Style | four contacts seat + shield | General ordering information | |
| Family | MIXO series, customizable inserts | EAN13 code | 8015747096010 |
| N. of poles | 4 poles + shield | Tariff number | 85369095 |
| Technical data | | Packaging Information | |
| Current | 10 A (A.C. and D.C.) | Packaging weight | 0,26 kg |
| Voltage | 50 V | Packaging description | Carton box |
| Rated impulse withstand voltage | 0,8kV | Packaging quantity | 10 Pcs |
| Pollution degree | 3 | Packaging EAN code | 8015747096027 |
| Operating temperature range (min, max) | -40°C ... +70°C | Sub-packaging length | 105,00 mm |
| IP degree of protection | IP20 without enclosure, IP65/IP66/IP68/IP69 with enclosure | Sub-packaging height | 70,00 mm |
| Further technical details | | Sub-packaging width | 110,00 mm |
| Characteristics according to EN 61984 | 10A 50V 0.8kV 3 | Sub-packaging weight | 0,03 kg |
| Insulation resistance | ≥ 10 GΩ | Sub-packaging volume | 0,81 dm ³ |
| Rated voltage according to UL/CSA | 50V | Sub-packaging description | Plastic bag |
| UL 94 flammability rating | V-0 | Sub-packaging quantity | 1 Pcs |
| Weight | 26,00 g | Sub-packaging EAN barcode | 8015747096034 |

Part number

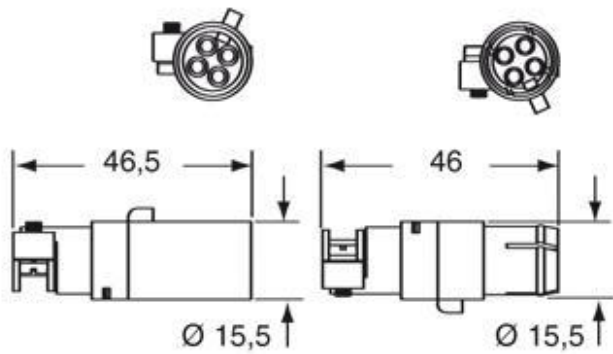
CX 04 BM



Catalogue drawings

CX 04 BF

CX 04 BM



Notes

CX 04 B inserts:

- characteristics according to EN 61984:
(10A 50V 0,8kV 3)

the modular inserts must be installed in suitable frames which in turn
are installed in traditional housings or COB panel support