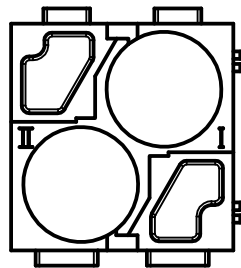
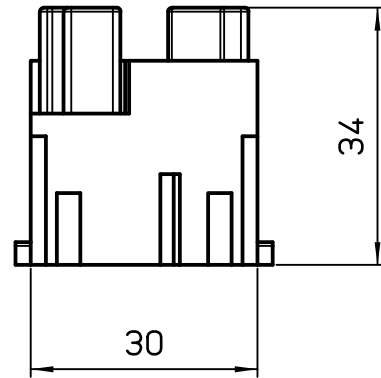
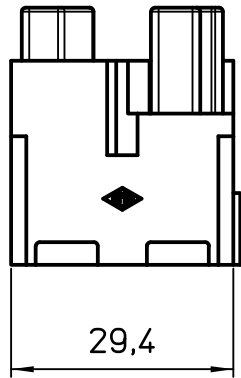
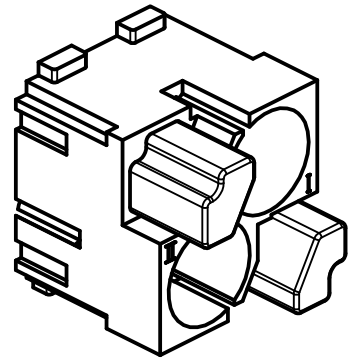
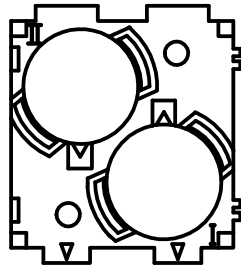



Diritti riservati All rights reserved



dimensions in mm	CX 02 BF female bus module for 2 shielded connectors	Scale	
Date 26/09/11		1:1	
Sign. T.Tedeschi			