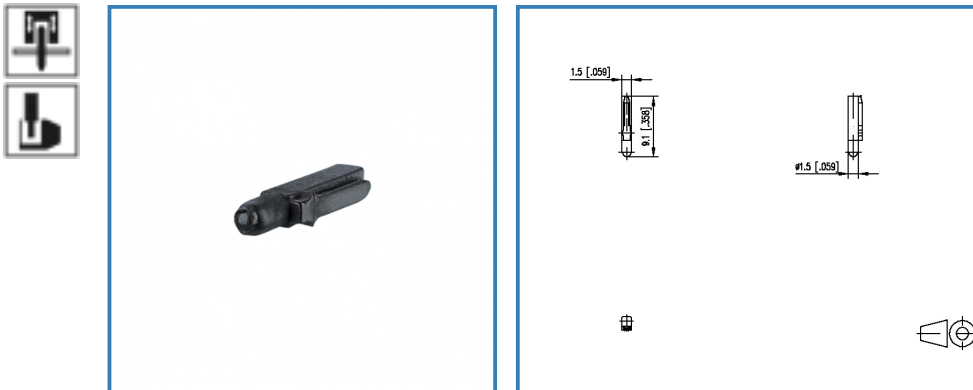


Data Sheet

720159

Page 1/4
P/N
720159-01-2
2018/02/01

Illustration



see enlarged drawing at the end of the document

Product specification

- The coding pin is inserted into the groove in the back of the terminal block
- This method of coding does not result in any circuit loss
- Variants: 720159-01-2 short, 720159-02-2 long

© 2017 METZ CONNECT - Technische Änderungen vorbehalten! Subject to modifications! Sous réserve de modifications techniques!



Data Sheet

720159

Page 2/4
P/N
720159-01-2
2018/02/01

Technical Data

Material

insulating material	PA66
Color	black



Data Sheet

720159

Page 3/4
P/N
720159-01-2
2018/02/01

Accessories to

P/N	-5
311651	RP023xxHBNF Typ 165
311652 (on request)	RP02JxxHBNF Typ 165
311661	RP023xxHBWC Typ 166
311662 (on request)	RP02JxxHBWC Typ 166
312071	RP025xxHBLC Typ 207
312072 (on request)	RP029xxHBLC Typ 207
312081 (on request)	RP025xxMBLC Typ 208
312082 (on request)	RP029xxMBLC Typ 208



Data Sheet

720159

Page 4/4

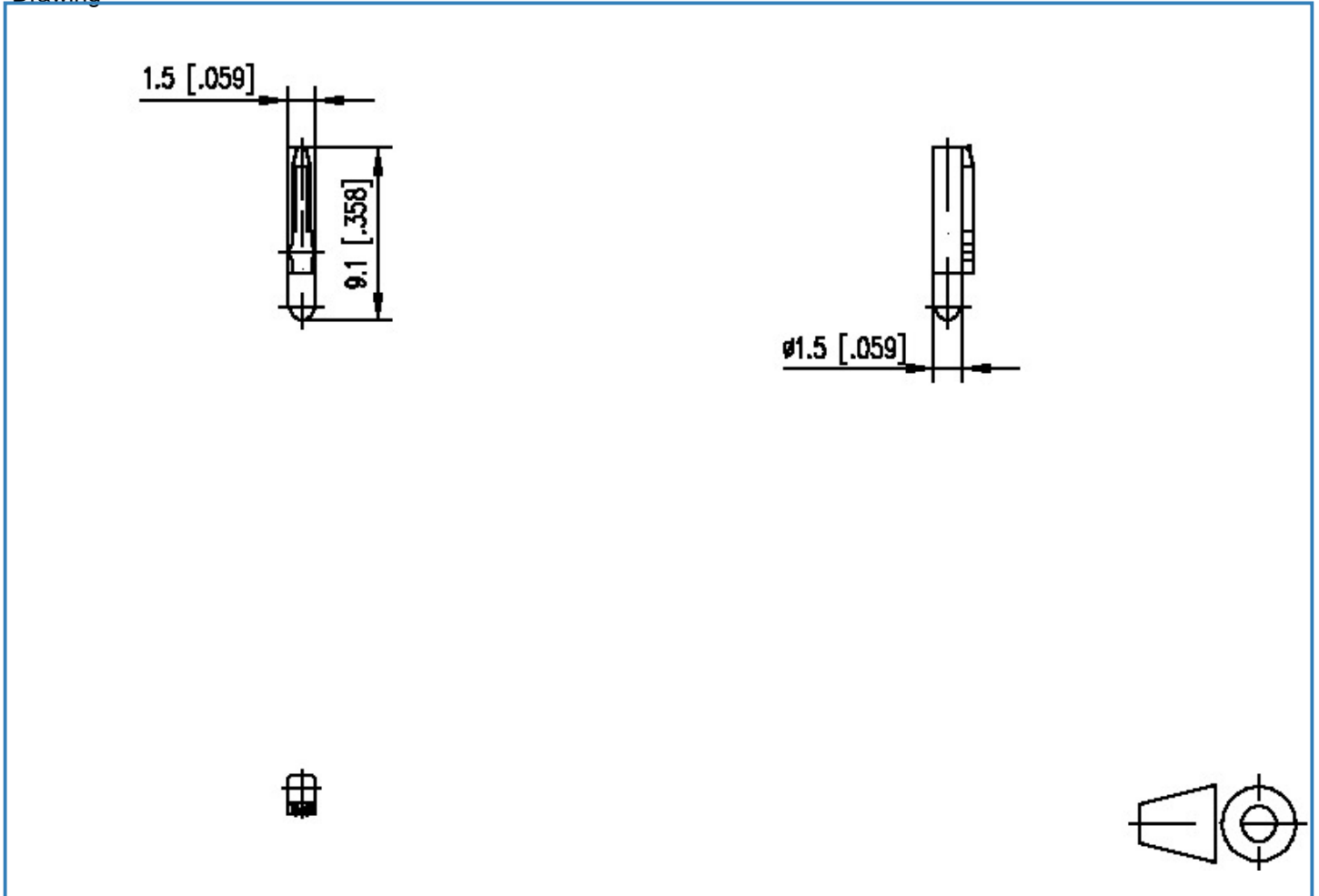
P/N

720159-01-2

2018/02/01

Illustration

Drawing



© 2017 METZ CONNECT - Technische Änderungen vorbehalten! Subject to modifications! Sous réserve de modifications techniques!

