

# Data Sheet

## 710122

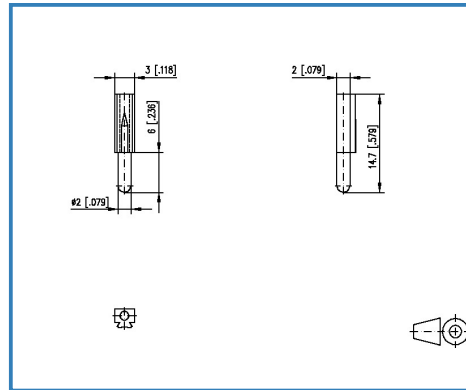
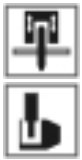
Page 1/4

P/N

710122-2

2018/02/01

### Illustration



see enlarged drawing at the end of the document

### Product specification

- The coding pin is inserted into the groove in the back of the terminal block
- This method of coding does not result in any circuit loss
- Variants: 710121-2 short, 710122-2 long



# Data Sheet

## 710122

Page 2/4

P/N

710122-2

2018/02/01

### Technical Data

#### Material

insulating material	PA66
Color	black



# Data Sheet

## 710122

### Accessories to

P/N	-5
310071	RP025xxIBWC Typ 007
311081	RP025xxMBWC Typ 108
311072 (on request)	RP029xxHBWC Typ 107
311071	RP025xxHBWC Typ 107
310792 (on request)	RP02AxxIBWU Typ 079
310791	RP026xxIBWU Typ 079
310772 (on request)	RP029xxIBWU Typ 077
310771	RP025xxIBWU Typ 077
310072	RP029xxIBWC Typ 007
311082 (on request)	RP029xxMBWC Typ 108



# Data Sheet

## 710122

### Illustration

#### Drawing

