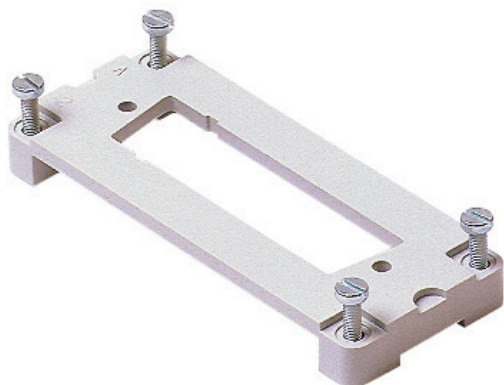


Part number

# CR 09 AD1



## Brief description:

plates for D-SUB (IEC 60807-2) CH / MH enclosures , for 1 D-SUB insert 9 poles (not included)

Product description	
Series	adaptor plates
Product type	plates for D-SUB (IEC 60807-2) CH / MH enclosures
Style	for 1 D-SUB insert 9 poles (not included)
Family	accessories for multipole connectors
Further technical details	
Weight	11,00 g

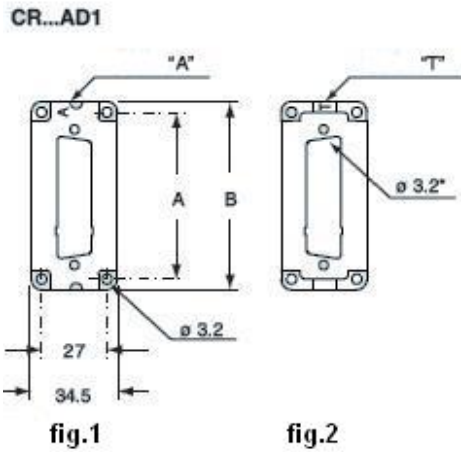
Approvals / Standards	
Conformity	Not applicable
General ordering information	
EAN13 code	8015747037501
Tariff number	85369095
Packaging Information	
Sub-packaging weight	0,11 kg
Sub-packaging description	Carton box
Sub-packaging quantity	10 Pcs
Sub-packaging EAN barcode	8015747037518

Part number

# CR 09 AD1



## Catalogue drawings



## Notes

The electrical continuity is guaranteed only if mounted in our enclosures.

Plates CR..AD, CR..AD1 and CR..AD2

For machinery or command equipment that need connection with programming and control electronic devices. The plate housings have notches for the rear insertion of cabled D-SUB inserts.

CR..AD

mounting on bulkhead housings and hoods one-way mounting in bulkhead housings or hoods.

CR..AD1 and CR..AD2

mounting on bulkhead housings (Figure 1) The D-SUB connector must be mounted on the side marked with the letter "A"  
mounting on hoods (Figure 2) The D-SUB connector must be mounted on the side marked with the letter "T"

