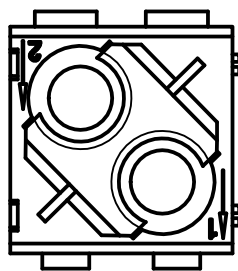
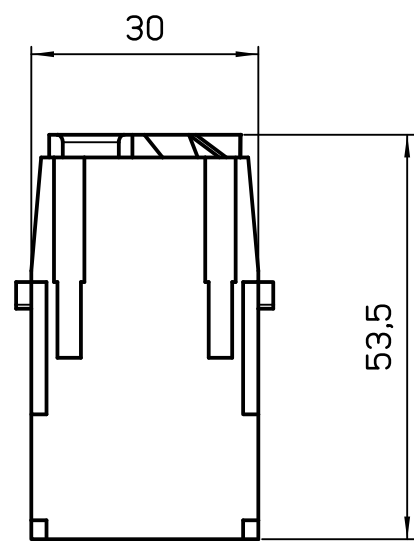
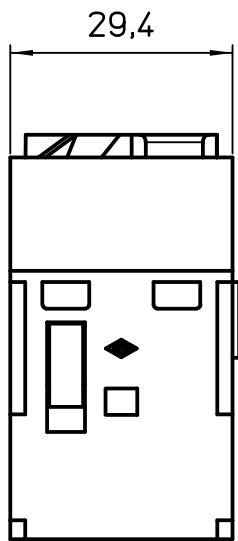
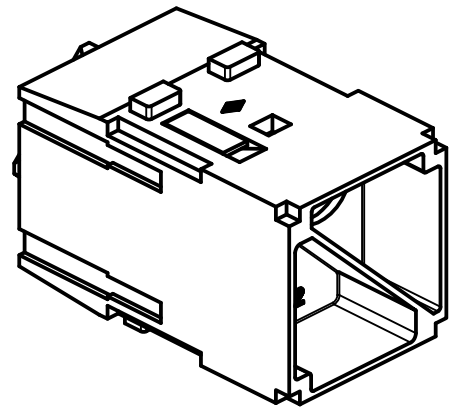
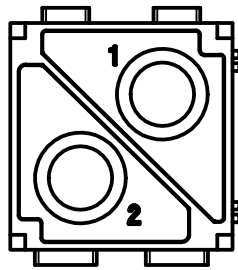


Diritti riservati All rights reserved



dimensions in mm	CX 02 GM	Scale	
Date 26/09/11	male modular, crimp, 2P 100A 1000V	1:1	
Sign. T.Tedeschi			