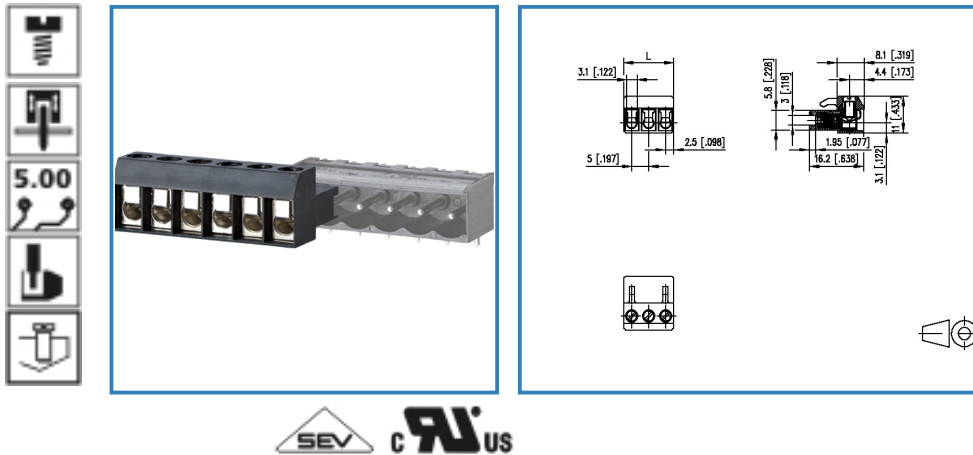


# Data Sheet

## RP015xxWBWC

### Illustration



see enlarged drawing at the end of the document

### Product specification

- screw type terminal block, Stecker
- centerline 5.00 mm, direction of connection vertical 0°
- wire protector, fittable without loss of poles
- color black
- wire entry uncodeable side parallel to plug direction, lamella

© 2017 METZ CONNECT - Technische Änderungen vorbehalten! Subject to modifications! Sous réserve de modifications techniques!



# Data Sheet

## RP015xxWBWC

### Technical Data

#### General Data

Tightening torque SEV	0.5 Nm		
Tightening torque UL	7 lb-in		
min. number of poles	2		
max. number of poles	21		
Insulating material class	CTI 600		
clearance/creepage dist.	1.9 mm		
protection category	IP 20		
Overvoltage category	III	III	II
Pollution degree	3	2	2
Rated voltage	100.0 V	320.0 V	320.0 V
Rated test voltage	2.5 kV	2.5 kV	2.5 kV


#### Connection data

Rated wiring solid wire	0.33 - 2.5 mm <sup>2</sup> / AWG 22 - 12		
Rated wiring stranded wire	0.33 - 2.5 mm <sup>2</sup> / AWG 22 - 12		

#### Approvals

extended wiring UL	Wire range extended to No. 30 AWG for factory-wiring. Two same size wires No. 22-18 AWG Cu Sol/Str for field-wiring; No. 30-18 Cu Sol/Str factory-wiring.		
--------------------	---	--	--

 V / A / AWG	300 / 15 / 22 - 12		
--	--------------------	--	--

	13.5 A / 150 V / 2.5 kV / 3 / / 0.08 - 2.5 mm <sup>2</sup>		
--	--	--	--

#### Material

insulating material	PA66		
flammability class	V0		
contact material	CuBe		
Glow-Wire Flammability GWFI	960 °C acc. to IEC 60695-2-12		
Glow-Wire Flammability GWIT	775 °C acc. to IEC 60695-2-13		
contact surface	Ni + Ag		
terminal body material	CuZn		
terminal body surface	Ni		



# Data Sheet

## RP015xxWBWC

Page 3/5

P/N

310091xx

xx=number of poles

2018/02/01

screw surface	Zn Cr(VI)-frei/free
wire protector material	CuSn
wire protector surface	Sn
screw thread	M3

### Climatic properties

upper limit temperature	105 °C
lower limit temperature	-40 °C

### General

Tolerance	ISO 2768 -mH
-----------	--------------



# Data Sheet

## RP015xxWBWC

Page 4/5

P/N

310091xx

xx=number of poles

2018/02/01

### Matching Part

P/N	Product name
310191	PT045xxVBEC Typ 019
310201	PT045xxVBBN Typ 020
310291	PT045xxHBEC Typ 029
310301	PT045xxHBBN Typ 030
310311	PT045xxHBVC Typ 031
310321 (on request)	PT045xxHBVN Typ 032
310331 (on request)	PT045xxVBON Typ 033

### Accessories

P/N	Product name
716906	716906

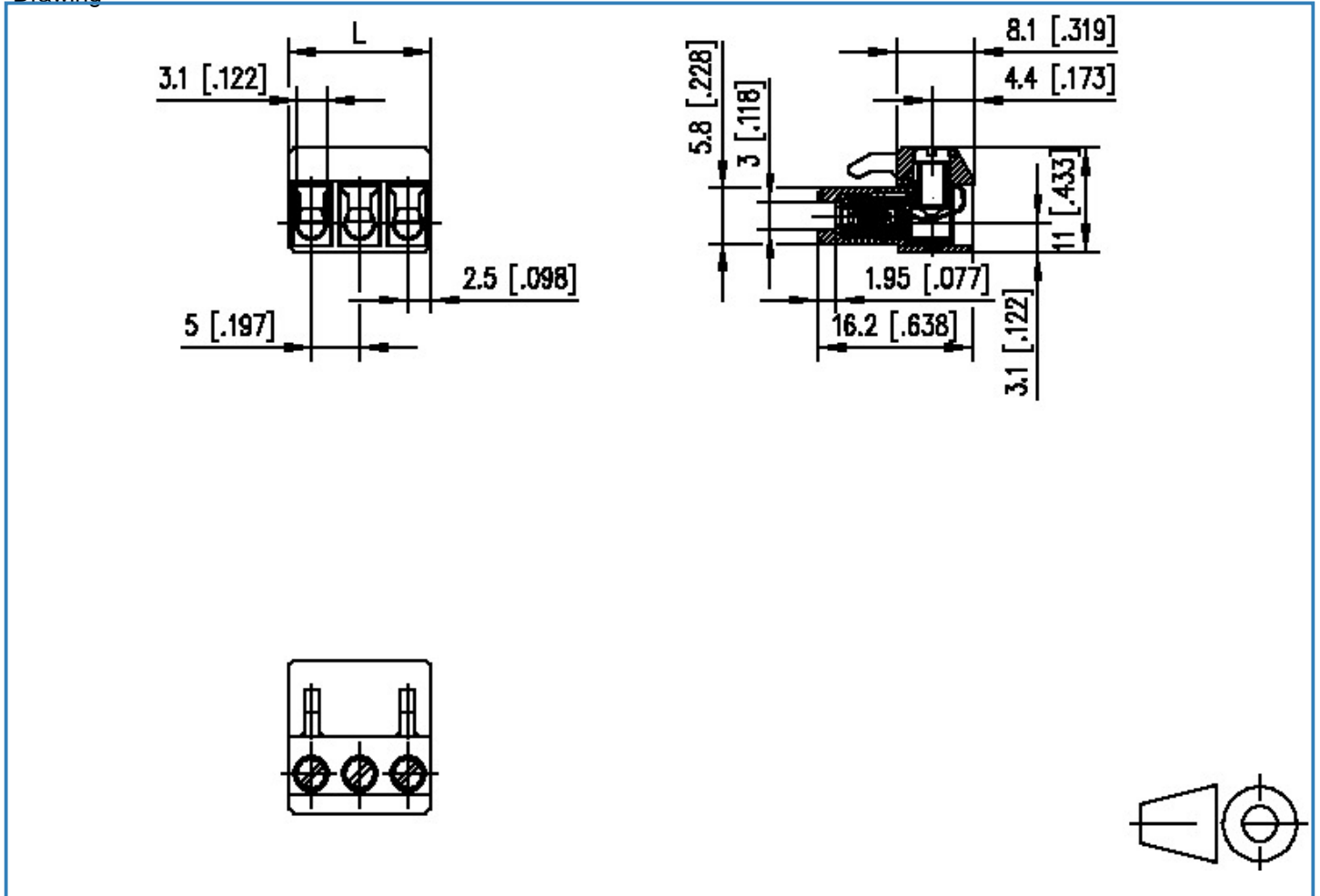


# Data Sheet

## RP015xxWBWC

### Illustration

Drawing



$$L = (\text{pole size} - 1) \times \text{centerline} + 5 [0.197]$$