

# Data Sheet

## 720036

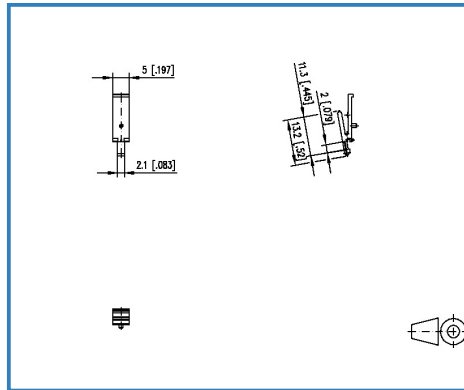
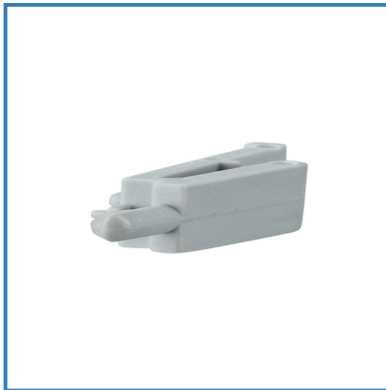
Page 1/4

P/N

720036-01-4

2018/02/01

### Illustration



see enlarged drawing at the end of the document

### Product specification

- The mounting flange is inserted into the mounting hole in the side of the terminal block and secured to the printed circuit board by being press fit into the hole in the printed circuit board
- Mounting flanges for left and right side are necessary for mounting.
- Variants: 720036-01-4 gray for pc board 1.0 mm / 0.039 inches, 720036-02-2 black for pc board 1.50 mm / 0.059 inches

© 2017 METZ CONNECT - Technische Änderungen vorbehalten! Subject to modifications! Sous réserve de modifications techniques!



# Data Sheet

## 720036

Page 2/4  
P/N  
720036-01-4  
2018/02/01

### Technical Data

#### Material

insulating material	PA66
Color	gray



# Data Sheet

## 720036

Page 3/4  
P/N  
720036-01-4  
2018/02/01

### Accessories to

P/N	-5
ASP025	SP025xxHDNC ASP025
ASP029 (on request)	SP029xxHDNC ASP029

© 2017 METZ CONNECT - Technische Änderungen vorbehalten! Subject to modifications! Sous réserve de modifications techniques!

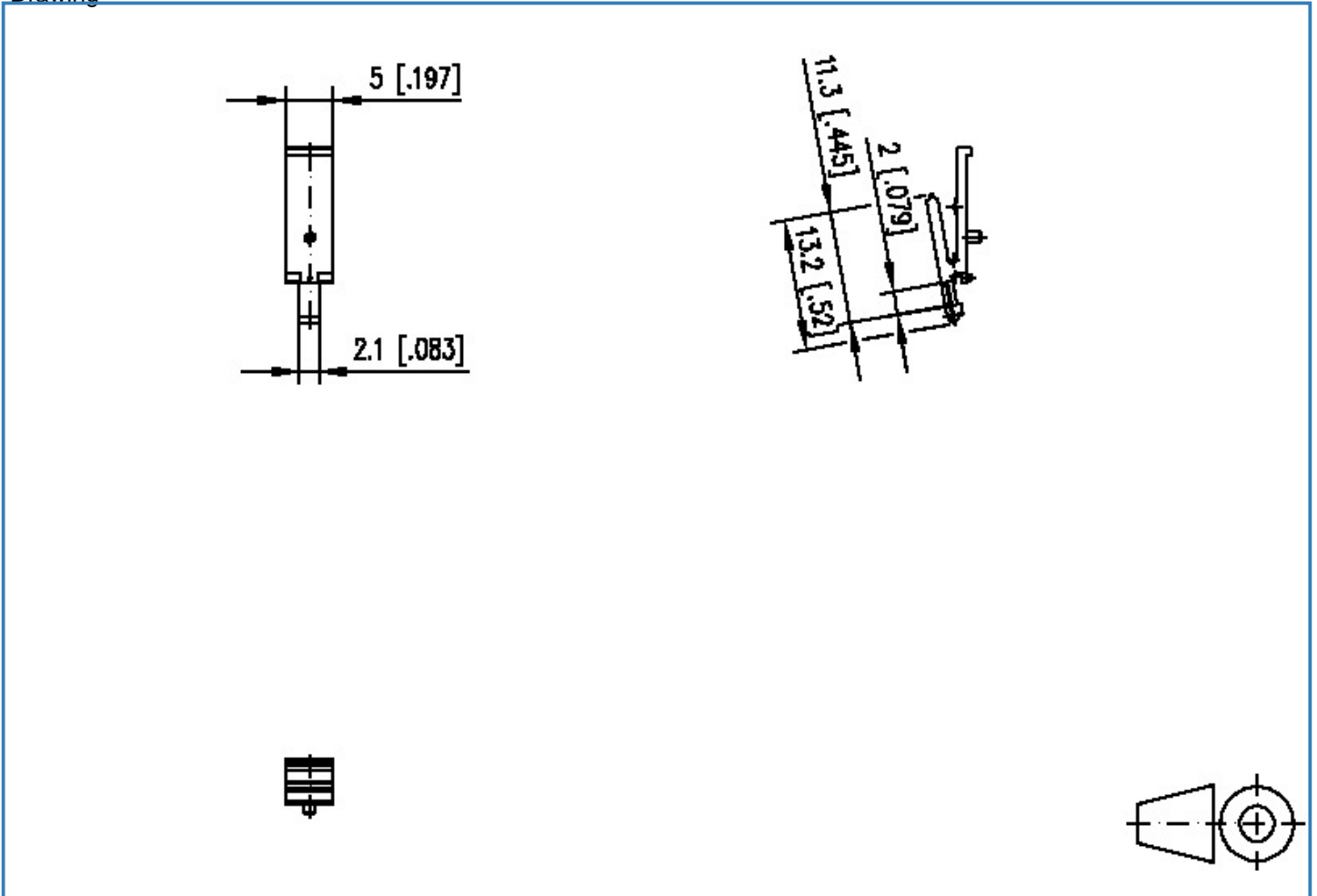


# Data Sheet

## 720036

### Illustration

Drawing



© 2017 METZ CONNECT - Technische Änderungen vorbehalten! Subject to modifications! Sous réserve de modifications techniques!

