



Part number

# CQ 08 VA



## Brief description:

hoods for single lever, size "32.13", side entry, Pg16, thermoplastic version, IP66/ IP67

Product description		Approvals / Standards	
Version	Insulating type	Quality mark	 (type:4/4X/12),  , EAC
Series	Hoods with 2 pegs	Conformity	CQC, CE
Product type	with 2 pegs	General ordering information	
Variant	side entry	EAN13 code	8015747114882
Family	CQ enclosures	Tariff number	85369095
Size	size "32.13"	Packaging Information	
Technical data		Packaging length	250,00 mm
Operating temperature range (min, max)	-40°C ... +125°C	Packaging height	145,00 mm
Material	thermoplastic	Packaging width	300,00 mm
IP degree of protection	IP66/ IP67 (EN 60529) and IP69K (DIN 40050 - 9) degree of protection.	Packaging weight	1,30 kg
Cable entry	Pg16	Packaging volume	10,88 dm <sup>3</sup>
Further technical details		Packaging description	Carton box
Weight	26,00 g	Packaging quantity	50 Pcs
		Packaging EAN code	8015747215176
		Sub-packaging weight	0,26 kg
		Sub-packaging description	Plastic bag
		Sub-packaging quantity	10 Pcs
		Sub-packaging EAN barcode	8015747215251

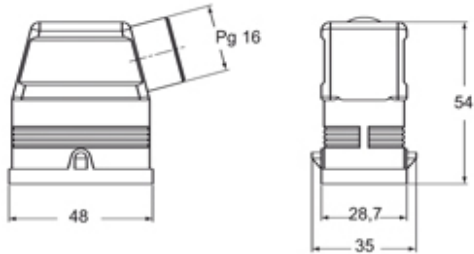
Part number

# CQ 08 VA

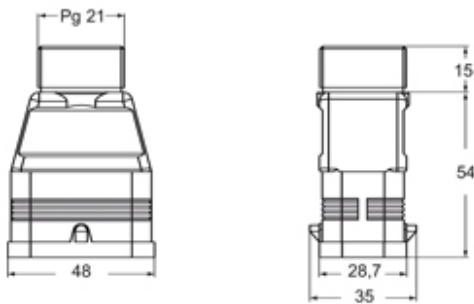


## Catalogue drawings

CQ VA



CQ V



---

## Notes

Pg male thread on outside of enclosure

---