




Part number

CQF 04/2



Brief description:

female insert, 4 poles + PE, crimp connections, 40A 690V, (2 poles (10A max - 250V/4kV/3)), 6kV, 3, for female contacts 40A and 10A, size "32.13", CLASS insert series

Product description		Approvals / Standards	
Model	female insert	Reference standard	EN 61984 (2001-11)
Version	crimp connections	Quality mark	  EAC
Series	CQ	Conformity	CQC, CE
Product type	for female contacts 40A and 10A	General ordering information	
Family	CLASS inserts	EAN13 code	8015747128964
Size	size "32.13"	Tariff number	85369095
N. of poles	4 poles + 	Country of origin	Made in EU (IT)
Auxiliary poles	2 poles (10A max - 250V/4kV/3)	ETIM classification	EC000438
Technical data		Packaging Information	
Current	40 A (A.C. and D.C.)	Packaging length	245,00 mm
Voltage	400 - 690 V	Packaging height	165,00 mm
Rated impulse withstand voltage	6kV	Packaging width	215,00 mm
Pollution degree	3	Packaging weight	0,90 kg
Operating temperature range (min, max)	-40°C ... +125°C	Packaging volume	8,69 dm ³
Mating cycles	≥ 500	Packaging description	Carton box
IP degree of protection	IP20 without enclosure, IP66/IP67 with enclosure	Packaging quantity	50 Pcs
Further technical details		Packaging EAN code	8015747215374
Characteristics according to EN 61984	40A 400/690V 6kV 3 (aux: 10A 250V 4kV 3)	Sub-packaging weight	0,18 kg
Insulation resistance	≥ 10 GΩ	Sub-packaging description	Plastic bag
Rated voltage according to UL/CSA	600V	Sub-packaging quantity	10 Pcs
UL 94 flammability rating	V-0	Sub-packaging EAN barcode	8015747215381
Weight	14,00 g		

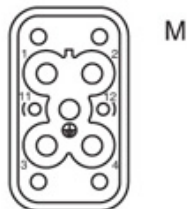
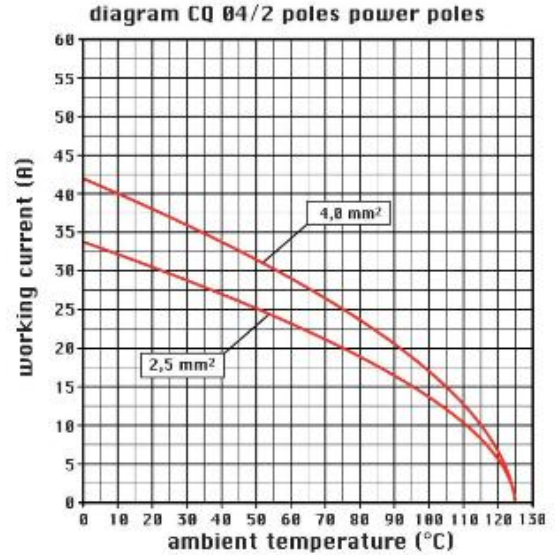
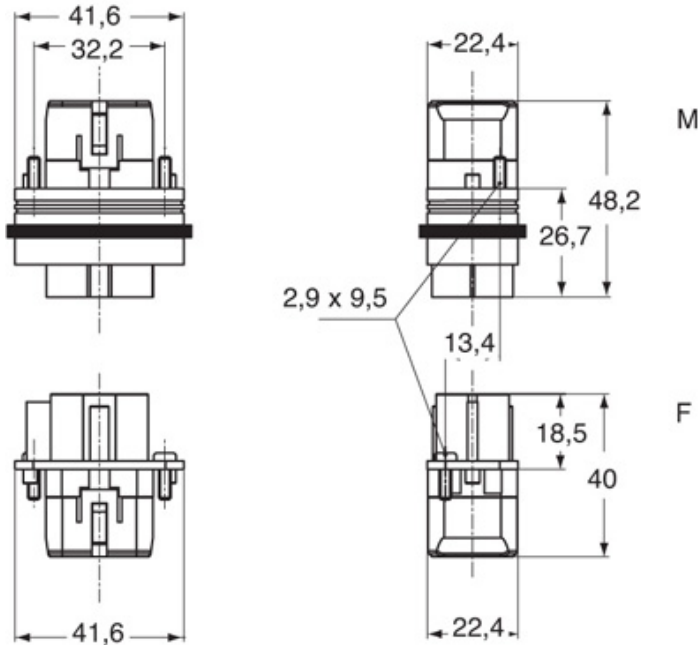
Part number

CQF 04/2



Catalogue drawings

Catalogue drawings



Notes

CQ 04/2 inserts:

- enclosures: size 32.13:

CQ insulating type

CQS EMC

- rated voltage according to UL/CSA: 600V- insulation resistance:

>10 GOhm

- ambient temperature limit: -40°C ... +125°C

- are made of self-extinguishing thermoplastic resin UL 94 V0

- mechanical life: <500 cycles

- contact resistance: < 0.3 mOhm (4 poles)

< 3 mOhm (2 poles)