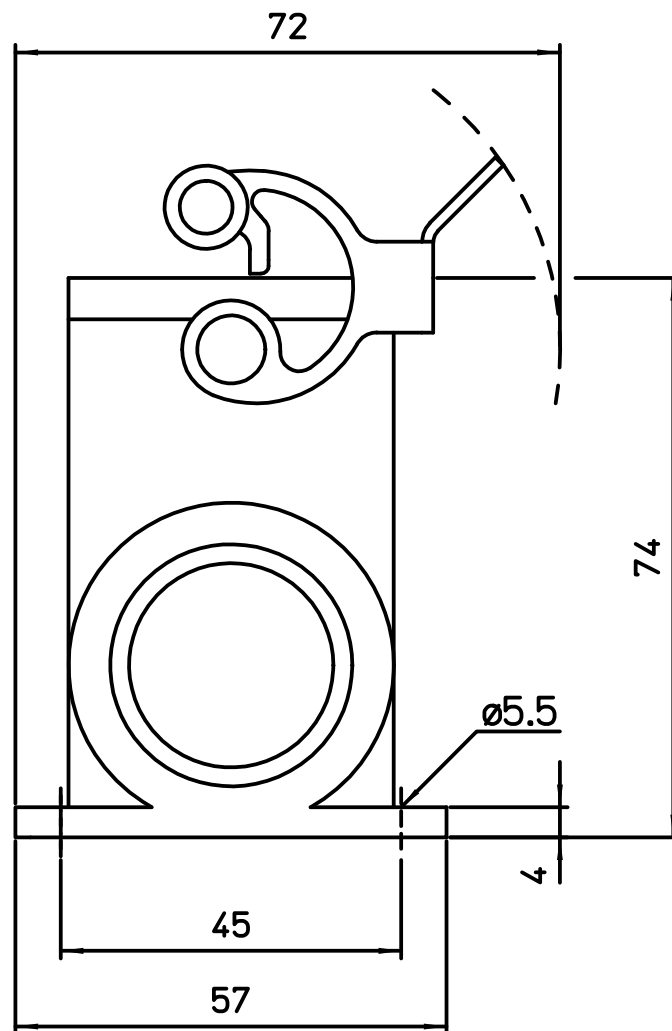
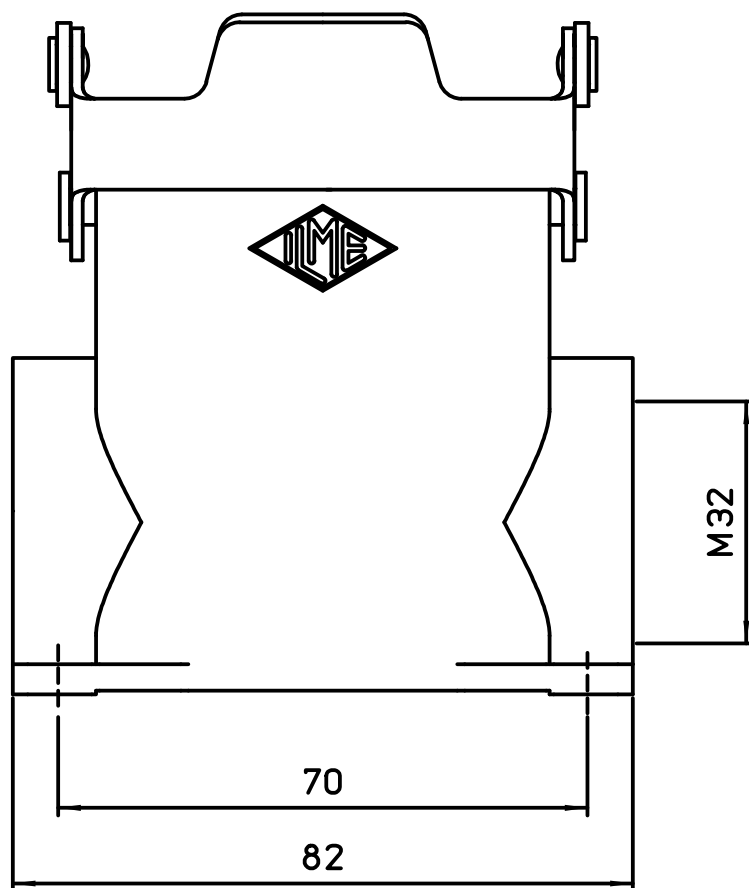


Diritti riservati All rights reserved



dimensions in mm	MZAPR 06 L32	Scale	
Date 30/06/16	Surface mounting housing 1 lev. M32 - 180°C	1:1	
Sign. D. Bonino			